

和鸿照明 2017

CEA[®]
Stock Code **839353**

LED专业照明制造商
Professional LED Lighting Manufacturer



LED Lighting *2017*

乐清和鸿国际贸易有限公司

CEA GROUP INTERNATIONAL CO.,LTD.

地址：中国浙江省乐清市磐石镇珠城路三家利工业园
Sanjiali Industrial Zone, Zhucheng Road, Panshi ,
Yueqing, Zhejiang, China.

Tel:+86-577-61789668 Fax:+86-577-61789669

www.ceaworld.com

E-mail:anlen@ceaworld.com

和鸿电气股份有限公司

CEA Electric Co., Ltd.

地址：安徽省阜阳市颍泉经济开发区顶大路55号
No.55 Dingda Road , Yingquan Economic development
Zone,Fuyang Anhui,China

Tel: +86-558-2623358 2603767 Fax: +86-558-2623358

www.cealite.com

E-mail:anlen@ceaworld.com



Energy saving



High brightness



Long lifetime

Company Profile

公司简介 >

和鸿电气股份有限公司成立于2008年，坐落在安徽省阜阳市颍泉区阜阳工业园区顶大路55号，是一家以LED产品和低压电器产品为核心产业，集研发、生产、销售和进出口贸易于一体的高科技企业。公司于2016年9月19日在全国中小企业股份转让系统正式挂牌（股票名称：和鸿电气；股票代码：839353）。

公司专业从事LED路灯、LED投光灯、LED隧道灯、LED工矿灯、LED停车场灯、LED景观灯、LED巷道灯、LED防爆灯系列以及低压电器、电线电缆、建筑电器、智慧城市照明系统的研发、生产和销售。如今，产品已经广泛应用于城市建设、道路交通、乡村别墅、工厂小区、百货公司、医院学校和艺术装修等环境，受到国内外客户的一致好评。

公司旗下有主营LED电源生产的阜阳和源电子有限公司和主营进出口贸易的乐清和鸿国际贸易有限公司两家全资子公司。并在同行中率先通过了ISO9001质量管理体系认证、ISO14001环境管理体系认证和OHSAS18001职业健康安全管理体系认证，拥有城市及道路照明工程专业承包资质。产品获得了美国UL、DLC、FCC，欧洲CE、CB、ROHS，澳大利亚SAA、C-TICK等认证，并以其节能、环保、高效的特色，畅销美国、加拿大、墨西哥、俄罗斯、乌克兰，以及东南亚、欧洲、南美、澳洲等90多个国家和地区，公司自主经营的CEA品牌已在世界各地的90多个国家和地区注册。2015年出口额超3000万美元，在市出口企业中名列前茅。

和鸿电气是国家级高新技术企业，安徽省省级工业设计中心。公司自成立以来，始终坚持产品自主创新。已建立一支强大的科研团队，拥有一批专业的工程和设计人员，配备先进的模具、喷塑、压铸、压塑技术设备和国内一流的质量检测中心。公司先后被授予“建功立业”先进企业、“十佳工业”企业、“工业发展先进企业”等荣誉，并连续多年被评为开放型经济先进企业，中国海关A类管理企业。

公司秉承“和以致诚，鸿以致远”的经营理念、牢记“做一流照明电气设备供应商，为实现绿色能源服务”的企业宗旨，发扬“诚信、团结、创新、拼搏”的企业精神；以品牌国际化，市场全球化为发展方向；与您携手前行，共创美好未来！

和鸿电气股份有限公司热诚欢迎各界前来参观、考察、洽谈业务！

Found in 1999,CEA Electric Co.,Ltd. is acknowledged as one of the most respected electrical apparatus and LED lighting manufacturer in China .The company located in Fuyang city Anhui Province ,owns production area of 50,000m² and employs more than 500 staffs.

The company is approved by ISO9001 Quality Management System and ISO14001 Environmental Management System, GB/T 28001 Occupational Health and Safety Management System. Products certificated with UL , SAA, C-TICK , CB , CE , ROHS , CCC. CEA brand is registered in more than 40 countries and regions. Branch offices are established in UAE, HK, and general agency in Brazil and Russia.

With qualified R&D team and professional engineers and designers, the company has established advanced test center. Company product line mainly includes LED Lightings, cables & wires, industrial control apparatus, instruments, complete equipment, and electronic parts& components..

The company's LED Lightings product line includes LED Flood Light, LED Tunnel Light, LED Street Light, LED High Bay Light, LED Tube, LED Bulb, LED Down light. Products widely used in Roadway, factory, department store, hospital, school, golf course, villa, farm etc.

With energy saving, environmental friendly, high efficiency performance, CEA LED Lightings have gained reputation in over 80 countries and regions in Southeast Asia, North & South America, Europe, Africa, CIS.

With enterprise tenet “Be No.1 Electrical equipment supplier, Realize Green energy resource” , and enterprise spirit “credit, unity, innovation and striving” , we are willing to work with you and build a bright future!

和以致诚
鸿以致远

> 和鸿阜阳颍泉工业园



Qualification Certificates

资质证书



Product Contents

产品目录

CB CE RoHS

- | | | | | | |
|----|--|---|----|--|--|
| 01 | | DFL1 无驱动型一体式LED投光灯
DFL1 Driverless LED Flood Light | 18 | | HBF2 LED 仓储灯
HBF2 LED Highbay Fixture |
| 03 | | SFL1 贴片LED投光灯
SFL1 SMD LED Flood Light | 19 | | HBL1 LED 工矿灯
HBL1 LED High bay Light |
| 04 | | LFLS1 一体式LED投光灯
LFLS1 Slim LED Flood Light | 21 | | DHBL1 无驱动型LED工矿灯
DHBL1 Driverless LED Highbay Light |
| 05 | | LFL1 LED投光灯
LFL1 LED Flood Light | 22 | | LT8 LED 日光灯
LT8 LED Tube |
| 07 | | LFL2 感应式LED投光灯
LFL2 LED Flood Light With Motion Sensor | 23 | | LP1 LED 球泡灯
LP1 LED Bulbs |
| 08 | | LFL3 便携式LED投光灯
LFL3 Portable LED Flood Light | 24 | | RPL1 LED 圆形面板灯
RPL1 Round LED Panel Light |
| 09 | | LFL5 RGB LED投光灯
LFL5 RGB LED Flood Light | 25 | | SPL1 LED 方形面板灯
SPL1 Square LED Panel Light |
| 10 | | RFL1 充电式LED投光灯
RFL1 Rechargeable LED Flood Light | 26 | | DL1 COB 筒灯
DL1 COB Down Light |
| 11 | | LTL1 LED 隧道灯
LTL1 LED Tunnel Light | 27 | | LCL2 LED 吸顶灯
LCL2 LED Ceiling Light |
| 12 | | LSL1 LED 路灯
LSL1 LED Street Light | 28 | | LCL5 薄款LED吸顶灯
LCL5 Driverless LED Ceiling Light |
| 16 | | LSL6 网球拍式路灯
LSL6 LED Street Light | 29 | | LCL3 无驱动型LED吸顶灯
LCL3 Driverless LED Ceiling Light |
| 17 | | LSL8 模组化路灯
LSL8 LED Street Light | | | |

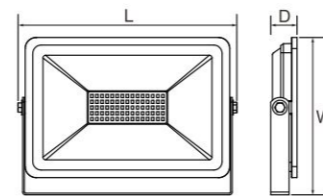


产品特性 Features

- ★ 超薄型设计, 更大散热面, 更宽出光角度。
- ★ 光源采用台湾原装进口SMD芯片、低功耗、高效率, 寿命更长;
- ★ 灯体采用优质压铸铝材, 具有优良的抗腐蚀性、防开裂, 经过烤漆工艺处理, 永不褪色;
- ★ 高强度钢化玻璃面罩, 透光率高;
- ★ 防水、智能控制电路, 具有过压、欠压保护;
- ★ 产品环保、无污染 (不含铅和汞)、无辐射, 有利于循环再利用。
- ★ 产品防护等级IP65

- ★ Ultra-thin design, larger heat dissipating contact surface, wide beam angle.
- ★ SMD chip imported from Taiwan, low power consumption, low light decay, high efficiency, long service life.
- ★ Body material applies high quality die-casting aluminium which is corrosion resistant, anti-cracking and non-fading color by stoving vanish.
- ★ High strength toughened glass with good transparency.
- ★ Waterproof, intelligent control circuit, overvoltage and undervoltage protection.
- ★ Environmental friendly, no pollution (without lead & mercury), no radiation, favorable to recycle.
- ★ Protection grade IP67

产品尺寸图 Outline Drawing



适用范围:

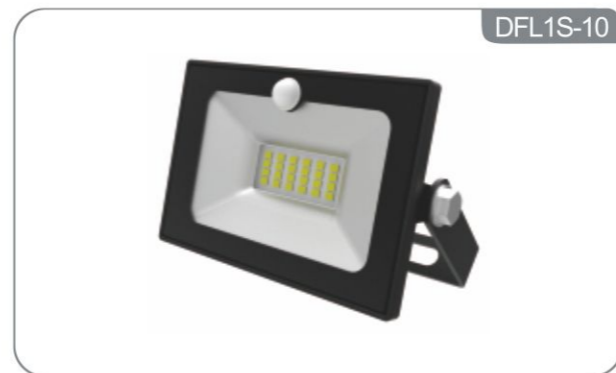
- ★ 在建筑立面, 广场, 园林景观, 高尔夫球场, 别墅, 公园, 养殖场等场所的户外广泛使用。

Application:

- ★ Widely used in building facades, plaza, garden landscape, golf courses, villas, farms and other outdoor places

技术参数 Technical Parameters

型号 Model	产品尺寸 Size L*W*D(mm)	额定功率 LED power	输入电压 Voltage	频率 Frequency	光通量 Luminous Flux	光效 Luminous Efficiency	显色指数 CRI(Ra)	功率因素 Power Factor	色温 Color Temperature	光束角 Beam Angle	寿命 Life Span
DFL1-10	124*88*22	10W	AC 200-240V / 110-130V	50/60HZ	800Lm	80Lm/W	Ra>72	>0.90	2700-6500K	120°	>50000Hrs
DFL1-20	148*118*22	20W	AC 200-240V / 110-130V	50/60HZ	1600Lm	80Lm/W	Ra>72	>0.90	2700-6500K	120°	>50000Hrs
DFL1-30	200*160*32	30W	AC 200-240V / 110-130V	50/60HZ	2400Lm	80Lm/W	Ra>72	>0.90	2700-6500K	120°	>50000Hrs
DFL1-50	240*172*32	50W	AC 200-240V / 110-130V	50/60HZ	4000Lm	80Lm/W	Ra>72	>0.90	2700-6500K	120°	>50000Hrs
DFL1-70	282*206*32	70W	AC 200-240V / 110-130V	50/60HZ	5600Lm	80Lm/W	Ra>72	>0.90	2700-6500K	120°	>50000Hrs
DFL1-100	302*208*32	100W	AC 200-240V / 110-130V	50/60HZ	8000Lm	80Lm/W	Ra>72	>0.90	2700-6500K	120°	>50000Hrs
DFL1-150	370*292*52	150W	AC 200-240V / 110-130V	50/60HZ	12000Lm	80Lm/W	Ra>72	>0.90	2700-6500K	120°	>50000Hrs
DFL1-200	430*330*60	200W	AC 200-240V / 110-130V	50/60HZ	16000Lm	80Lm/W	Ra>72	>0.90	2700-6500K	120°	>50000Hrs

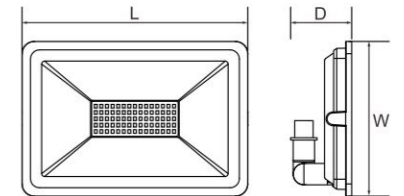


产品特性 Features

- ★ 摇臂款或感应器款为可选型号。
- ★ 感应器利用人体红外辐射原理, 采用MCU电路设计, 主动式红外检测, 具有智能感应, 自动开关等特点。
- ★ 探测角度: 180度
- ★ 探测距离: 6-8米
- ★ 延时时间: 30秒
- ★ 环境照度: 2~2000Lux

- ★ Installation Arm or Sensor is optional.
- ★ The inductor applies human body infrared emanation theory, adopts MCU circuit design, active infrared inspection, and has smart sensor & automatic switch features.
- ★ Detection angle: 180°
- ★ Detection range: 6-8 Meters
- ★ Delay time : 30 seconds
- ★ Ambient light illumination: 2 to 2000Lux.

产品尺寸图 Outline Drawing



技术参数 Technical Parameters

型号 Model	额定功率 LED power	输入电压 Voltage	频率 Frequency	光通量 Luminous Flux	光效 Luminous Efficiency	显色指数 CRI(Ra)	功率因素 Power Factor	色温 Color Temperature	光束角 Beam Angle	寿命 Life Span
DFL1A-10	10W	AC 200-240V / 110-130V	50/60HZ	800Lm	80Lm/W	Ra>72	>0.90	2700-6500K	120°	>50000Hrs
DFL1A-20	20W	AC 200-240V / 110-130V	50/60HZ	1600Lm	80Lm/W	Ra>72	>0.90	2700-6500K	120°	>50000Hrs
DFL1A-30	30W	AC 200-240V / 110-130V	50/60HZ	2400Lm	80Lm/W	Ra>72	>0.90	2700-6500K	120°	>50000Hrs
DFL1A-50	50W	AC 200-240V / 110-130V	50/60HZ	4000Lm	80Lm/W	Ra>72	>0.90	2700-6500K	120°	>50000Hrs
DFL1S-10	10W	AC 200-240V / 110-130V	50/60HZ	800Lm	80Lm/W	Ra>72	>0.90	2700-6500K	120°	>50000Hrs
DFL1S-20	20W	AC 200-240V / 110-130V	50/60HZ	1600Lm	80Lm/W	Ra>72	>0.90	2700-6500K	120°	>50000Hrs
DFL1S-30	30W	AC 200-240V / 110-130V	50/60HZ	2400Lm	80Lm/W	Ra>72	>0.90	2700-6500K	120°	>50000Hrs
DFL1S-50	50W	AC 200-240V / 110-130V	50/60HZ	4000Lm	80Lm/W	Ra>72	>0.90	2700-6500K	120°	>50000Hrs
DFL1S-70	70W	AC 200-240V / 110-130V	50/60HZ	5600Lm	80Lm/W	Ra>72	>0.90	2700-6500K	120°	>50000Hrs



SFL1-20



SFL1-30



SFL1-50



SFL1-150

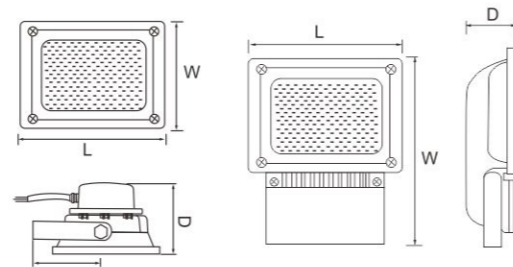
产品特性 Features

- ★ 光源采用台湾原装进口SMD芯片, 低功耗、低光衰、高效率、寿命更长;
 - ★ 灯体采用优质压铸铝材, 具有优良的抗腐蚀性、防开裂, 经过烤漆工艺处理, 永不褪色;
 - ★ 高纯铝散热器采用强对流设计, 完美解决散热问题, 保证光源寿命;
 - ★ 高强度钢化玻璃面罩, 透光率高;
 - ★ 驱动采用灌胶工艺, 防水、智能控制电路, 具有过压、欠压保护;
 - ★ 产品环保、无污染(不含铅和汞)、无辐射, 有利于循环再利用。
 - ★ 产品防护等级 IP67.
- ★ SMD chip imported from Taiwan, low power consumption, low light decay, high efficiency, long service life.
- ★ Body material applies high quality aluminum die casting, corrosion resistant, anti-cracking, non-fading color by stoving vanish.
- ★ High purity aluminum radiator with severe convection design ensures excellent heat dissipation and long light service life.
- ★ High strength toughened glass with good transparency.
- ★ Casting glue ensures excellent waterproof performance of driver, intelligent control circuit has overvoltage and undervoltage protection.
- ★ Environmental protection, no pollution (without lead & mercury), no radiation, favourable to recycle.
- ★ Protection grade IP67

技术参数 Technical Parameters

型号 Model	产品尺寸 Size L*W*D(mm)	额定功率 LED power	输入电压 Voltage	频率 Frequency	光通量 Luminous Flux	光效 Luminous Efficiency	色温 Color Temperature	光束角 Beam Angle	显色指数 CRI(Ra)	功率因素 Power Factor	寿命 Life Span	环境温度 Ambient Temperature
SFL1-20	110*90*80	20W	AC 100-277V	50-60Hz	1,600Lm	80Lm/W	2700-7000K	120°	Ra>72	>0.90	>50000Hrs	-40°C~+50°C
SFL1-30	180*140*110	30W	AC 100-277V	50-60Hz	2,400Lm	80Lm/W	2700-7000K	120°	Ra>72	>0.90	>50000Hrs	-40°C~+50°C
SFL1-50	225*185*125	50W	AC 100-277V	50-60Hz	4,000Lm	80Lm/W	2700-7000K	120°	Ra>72	>0.90	>50000Hrs	-40°C~+50°C
SFL1-75	285*235*140	75W	AC 100-277V	50-60Hz	5,600Lm	80Lm/W	2700-7000K	120°	Ra>72	>0.90	>50000Hrs	-40°C~+50°C
SFL1-100	285*235*140	100W	AC 100-277V	50-60Hz	8,000Lm	80Lm/W	2700-7000K	120°	Ra>72	>0.90	>50000Hrs	-40°C~+50°C
SFL1-150	370*290*100	150W	AC 100-277V	50-60Hz	12,000Lm	80Lm/W	2700-7000K	120°	Ra>72	>0.90	>50000Hrs	-40°C~+50°C

产品尺寸图 Outline Drawing



适用范围:

★ 广泛应用于建筑外墙、广场、庭院景观、高尔夫球场、别墅、农场, 及其他户外需要聚光及灯光装饰的地方。

Application:

★ Widely used in building facades, plaza, garden landscape, golf courses, villas, farms and other outdoor places.



LFLS1-10



LFLS1-20



LFLS1-30



LFLS1-50

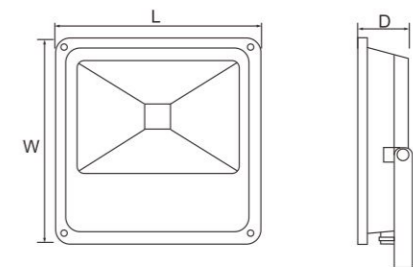
产品特性 Features

- ★ 超薄型设计, 散热接触面更大;
 - ★ 光源采用台湾原装进口芯片, 低功耗、高效率、寿命更长;
 - ★ 灯体采用优质压铸铝材, 具有优良的抗腐蚀性、防开裂, 经过烤漆工艺处理, 永不褪色;
 - ★ 高强度钢化玻璃面罩, 透光率高;
 - ★ 驱动电源采用灌胶工艺, 防水、智能控制电路, 具有过压、欠压保护;
 - ★ 产品环保、无污染(不含铅和汞)、无辐射, 有利于循环再利用。
 - ★ 产品防护等级 IP65.
- ★ Ultra thin design, bigger heat dissipating contact surface.
- ★ Chip imported from Taiwan, low power consumption, high efficiency, long service life.
- ★ Body material applies high quality aluminum die casting, corrosion resistant, anti-cracking, non-fading color by stoving vanish.
- ★ High strength toughened glass with good transparency.
- ★ Casting glue ensures excellent waterproof performance of driver, intelligent control circuit has overvoltage and undervoltage protection.
- ★ Environmental protection, no pollution (without lead & mercury), no radiation, favourable to recycle.
- ★ Protection grade IP65

技术参数 Technical Parameters

型号 Model	产品尺寸 Size L*W*D(mm)	额定功率 LED power	输入电压 Voltage	频率 Frequency	光通量 Luminous Flux	光效 Luminous Efficiency	色温 Color Temperature	光束角 Beam Angle	显色指数 CRI(Ra)	功率因素 Power Factor	寿命 Life Span	环境温度 Ambient Temperature
LFLS1-10	117*125*42	10W	AC 85-265V	50-60Hz	720Lm	80Lm/W	2700-7000K	120°	Ra>72	>0.90	>50000Hrs	-40°C~+50°C
LFLS1-20	180*177*45	20W	AC 85-265V	50-60Hz	1,600Lm	80Lm/W	2700-7000K	120°	Ra>72	>0.90	>50000Hrs	-40°C~+50°C
LFLS1-30	225*220*55	30W	AC 85-265V	50-60Hz	2,400Lm	80Lm/W	2700-7000K	120°	Ra>72	>0.90	>50000Hrs	-40°C~+50°C
LFLS1-50	285*275*65	50W	AC 85-265V	50-60Hz	4,000Lm	80Lm/W	2700-7000K	120°	Ra>72	>0.90	>50000Hrs	-40°C~+50°C

产品尺寸图 Outline Drawing



适用范围:

★ 广泛应用于建筑外墙、广场、庭院景观、高尔夫球场、别墅、农场, 及其他户外需要聚光及灯光装饰的地方。

Application:

★ Widely used in building facades, plaza, garden landscape, golf courses, villas, farms and other outdoor places.



LFL1-10



LFL1-20



LFL1-30



LFL1-50

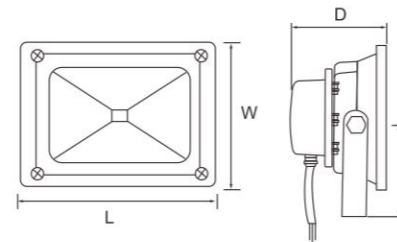
产品特性 Features

- ★ 光源采用台湾原装进口芯片，低功耗、高效率、寿命更长；
- ★ 灯体采用优质压铸铝材，具有优良的抗腐蚀性、防开裂，经过烤漆工艺处理，永不褪色；
- ★ 高纯铝散热器采用强对流设计，完美解决散热问题，保证光源寿命；
- ★ 高强度钢化玻璃面罩，透光率高；
- ★ 驱动电源采用灌胶工艺，防水、智能控制电路，具有过压、欠压保护；
- ★ 产品环保、无污染(不含铅和汞)、无辐射，有利于循环再利用。
- ★ 产品防护等级 IP65。
- ★ SMD chip imported from Taiwan, low power consumption, low light decay, high efficiency, long service life.
- ★ Body material applies high quality aluminum die casting, corrosion resistant, anti-cracking, non-fading color by stoving vanish.
- ★ High purity aluminum radiator with severe convection design ensures excellent heat dissipation and long light service life.
- ★ High strength toughened glass with good transparency.
- ★ Casting glue ensures excellent waterproof performance of driver, intelligent control circuit has overvoltage and undervoltage protection.
- ★ Environmental protection, no pollution (without lead & mercury), no radiation, favourable to recycle.
- ★ Protection grade IP67

技术参数 Technical Parameters

型号 Model	产品尺寸 Size L*W*D(mm)	额定功率 LED power	输入电压 Voltage	频率 Frequency	光通量 Luminous Flux	光效 Luminous Efficiency	色温 Color Temperature	光束角 Beam Angle	显色指数 CRI(Ra)	功率因素	寿命 Life Span	环境温度 Ambient Temperature
LFL1-10	115*90*85	10W	AC 85-265V	50-60Hz	720Lm	80Lm/W	2700-7000K	120°	Ra>72	>0.90	>50000Hrs	-40°C~+50°C
LFL1-20	180*140*100	20W	AC 85-265V	50-60Hz	1,600Lm	80Lm/W	2700-7000K	120°	Ra>72	>0.90	>50000Hrs	-40°C~+50°C
LFL1-30	225*185*125	30W	AC 85-265V	50-60Hz	2,400Lm	80Lm/W	2700-7000K	120°	Ra>72	>0.90	>50000Hrs	-40°C~+50°C
LFL1-50	285*235*160	50W	AC 85-265V	50-60Hz	4,000Lm	80Lm/W	2700-7000K	120°	Ra>72	>0.90	>50000Hrs	-40°C~+50°C

产品尺寸图 Outline Drawing



适用范围:

- ★ 广泛应用于建筑外墙、广场、庭院景观、高尔夫球场、别墅、农场，及其他户外需要聚光及灯光装饰的地方。

Application:

- ★ Widely used in building facades, plaza, garden landscape, golf courses, villas, farms and other outdoor places.



LFL1-70



LFL1-100

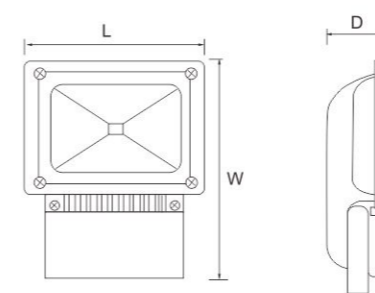


LFL1-150

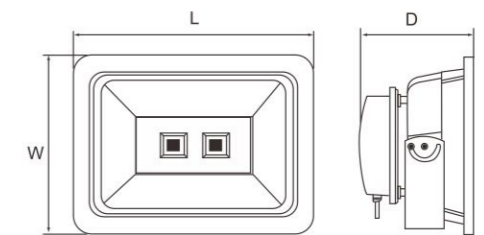


LFL1-200

产品尺寸图 Outline Drawing



产品尺寸图 Outline Drawing



技术参数 Technical Parameters

型号 Model	产品尺寸 Size L*W*D(mm)	额定功率 LED power	输入电压 Voltage	频率 Frequency	光通量 Luminous Flux	光效 Luminous Efficiency	色温 Color Temperature	光束角 Beam Angle	显色指数 CRI(Ra)	功率因素	寿命 Life Span	环境温度 Ambient Temperature
LFL1-70	285*370*120	70W	AC 85-265V	50-60Hz	5,600Lm	80Lm/W	2700-7000K	120°	Ra>72	>0.90	>50000Hrs	-40°C~+50°C
LFL1-80	290*370*120	80W	AC 85-265V	50-60Hz	6,400Lm	80Lm/W	2700-7000K	120°	Ra>72	>0.90	>50000Hrs	-40°C~+50°C
LFL1-100	290*370*120	100W	AC 85-265V	50-60Hz	8,000Lm	80Lm/W	2700-7000K	120°	Ra>72	>0.90	>50000Hrs	-40°C~+50°C
LFL1-120	290*370*120	120W	AC 85-265V	50-60Hz	9,600Lm	80Lm/W	2700-7000K	120°	Ra>72	>0.90	>50000Hrs	-40°C~+50°C
LFL1-150	320*420*155	150W	AC 85-265V	50-60Hz	11,200Lm	80Lm/W	2700-7000K	120°	Ra>72	>0.90	>50000Hrs	-40°C~+50°C
LFL1-200	452*322*172	200W	AC100-277V	50-60Hz	16,000Lm	80Lm/W	2700-7000K	120°	Ra>72	>0.90	>50000Hrs	-40°C~+50°C



LFL2-10



LFL2-20



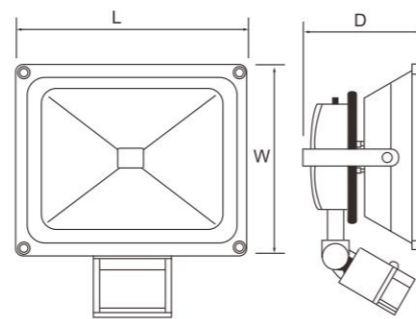
LFL2-30



LFL2-50

产品特性 Features

- ★ 感应器利用人体红外热辐射原理, 采用MCU电路设计, 主动式红外线检测, 具有智能感应、自动开关等特点。
- ★ 探测角度: 10W 120度, 20-50W 180度
- ★ 探测距离: 2米~12米 (可调)
- ★ 延时时间: 8秒~10分钟 (可调)
- ★ 环境照度: 2~2000Lux
- ★ 安装方式: 调节钮面向下, 安装高度: 1.8m ~ 2.5m
- ★ In terms of Human Body Infrared Emanation Theory, the inductor applies MCU circuit design for active infrared inspection, which has features of smart sensor & automatic switch.
- ★ Detection angle: 10W for 120°, 20W-50W for 180°
- ★ Detection range: 2 to 12 meters adjustable
- ★ Delay time: 8 seconds to 10 minutes adjustable
- ★ Ambient light illumination: 2 to 200 Lux
- ★ Installation: turn knob face down, installation height is from 1.8 meters to 2.5 meters



技术参数 Technical Parameters

型号 Model	产品尺寸 Size L*W*D(mm)	额定功率 LED power	输入电压 Voltage	频率 Frequency	光通量 Luminous Flux	光效 Luminous Efficiency	色温 Color Temperature	光束角 Beam Angle	显色指数 CRI(Ra)	功率因素 Power Factor	寿命 Life Span	环境温度 Ambient Temperature
LFL2-10	115*90*85	10W	AC 85-265V	50-60Hz	720Lm	80Lm/W	2700-7000K	120°	Ra>72	>0.90	>50000Hrs	-40°C~+50°C
LFL2-20	180*140*100	20W	AC 85-265V	50-60Hz	1,600Lm	80Lm/W	2700-7000K	120°	Ra>72	>0.90	>50000Hrs	-40°C~+50°C
LFL2-30	225*185*125	30W	AC 85-265V	50-60Hz	2,400Lm	80Lm/W	2700-7000K	120°	Ra>72	>0.90	>50000Hrs	-40°C~+50°C
LFL2-50	285*235*160	50W	AC 85-265V	50-60Hz	4,000Lm	80Lm/W	2700-7000K	120°	Ra>72	>0.90	>50000Hrs	-40°C~+50°C



LFL3-10



LFL3-20

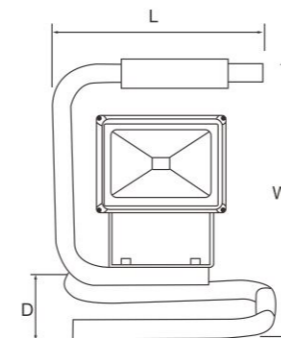


LFL3-30

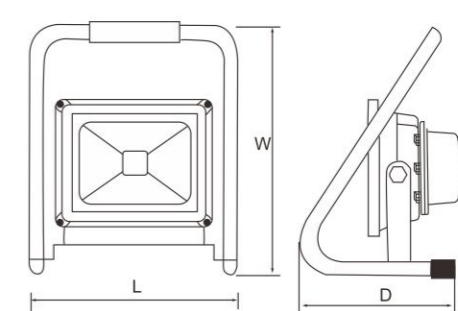


LFL3-50

产品尺寸图 Outline Drawing



产品尺寸图 Outline Drawing



技术参数 Technical Parameters

型号 Model	产品尺寸 Size L*W*D(mm)	额定功率 LED power	输入电压 Voltage	频率 Frequency	光通量 Luminous Flux	光效 Luminous Efficiency	色温 Color Temperature	光束角 Beam Angle	显色指数 CRI(Ra)	功率因素 Power Factor	寿命 Life Span	环境温度 Ambient Temperature
LFL3-10	165*245*165	10W	AC 85-265V	50-60Hz	720Lm	80Lm/W	2700-7000K	120°	Ra>72	>0.90	>50000Hrs	-40°C~+50°C
LFL3-20	220*300*205	20W	AC 85-265V	50-60Hz	1,600Lm	80Lm/W	2700-7000K	120°	Ra>72	>0.90	>50000Hrs	-40°C~+50°C
LFL3-30	280*315*280	30W	AC 85-265V	50-60Hz	2,400Lm	80Lm/W	2700-7000K	120°	Ra>72	>0.90	>50000Hrs	-40°C~+50°C
LFL3-50	400*405*300	50W	AC 85-265V	50-60Hz	4,000Lm	80Lm/W	2700-7000K	120°	Ra>72	>0.90	>50000Hrs	-40°C~+50°C



产品特点:

- ★ 配有交流充电器和车载充电器;
- ★ 充电4小时,可使用4小时;
- ★ 支架颜色有绿色、黄色、红色、灰色可供选择。

Features:

- ★ Equipped with AC recharger and car changer
- ★ Charging 4 hours can be used for 4 hours
- ★ Bracket available colors: Green/Yellow/Red/Grey

适用范围:

- ★ 家庭应急备用、夜间户外活动、移动汽修、工程抢修、货运装卸等用电不方便的地方。

Application:

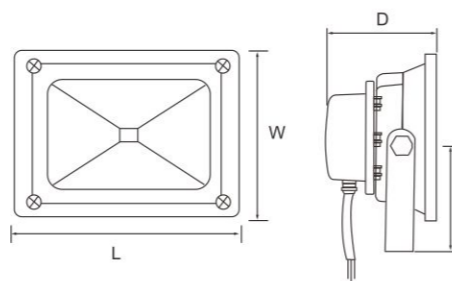
- ★ Used in family emergency, nighttime outdoor activities, car moving, project repair, cargo unloading.

产品特性 Features

- ★ 16种不同色光可供选择
- ★ 通电后自动循环渐变颜色,也可通过遥控器固定颜色。
- ★ 一个遥控器可通用多只灯
- ★ 16 different colors of light for choosing
- ★ Automatic cycle discoloration after power on. Color can be fixed by remote controller.
- ★ The remote controller can be commonly used for more than one light



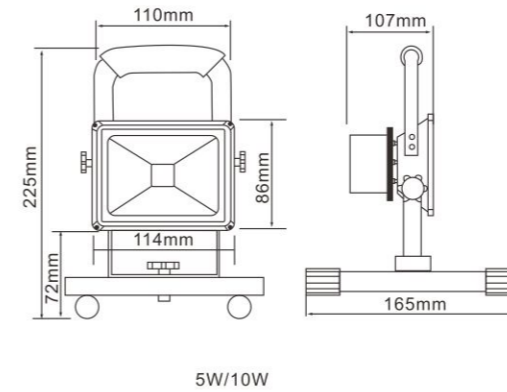
产品尺寸图 Outline Drawing



技术参数 Technical Parameters

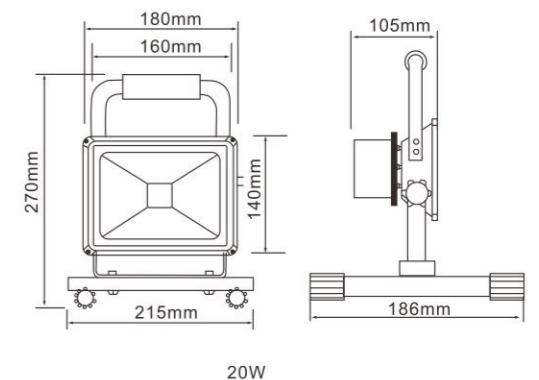
型号 Model	产品尺寸 Size L*W*D(mm)	额定功率 LED power	输入电压 Voltage	频率 Frequency	光通量 Luminous Flux	光效 Luminous Efficiency	色温 Color Temperature	光束角 Beam Angle	显色指数 CRI(Ra)	功率因素 Power Factor	寿命 Life Span	环境温度 Ambient Temperature
LFL5-10	115*90*85	10W	AC 85-265V	50-60Hz	720Lm	80Lm/W	2700-7000K	120°	Ra>72	>0.90	>50000Hrs	-40°C~+50°C
LFL5-20	180*140*100	20W	AC 85-265V	50-60Hz	1,600Lm	80Lm/W	2700-7000K	120°	Ra>72	>0.90	>50000Hrs	-40°C~+50°C
LFL5-30	225*185*125	30W	AC 85-265V	50-60Hz	2,400Lm	80Lm/W	2700-7000K	120°	Ra>72	>0.90	>50000Hrs	-40°C~+50°C
LFL5-50	285*235*160	50W	AC 85-265V	50-60Hz	4,000Lm	80Lm/W	2700-7000K	120°	Ra>72	>0.90	>50000Hrs	-40°C~+50°C

产品尺寸图 Outline Drawing



5W/10W

产品尺寸图 Outline Drawing



20W

技术参数 Technical Parameters

型号 Model	额定功率 LED power	输入电压 Voltage	光通量 Luminous Flux	光效 Luminous Efficiency	色温 Color Temperature	光束角 Beam Angle	显色指数 CRI(Ra)	电池容量 Capacity
RFL1-5	5W	AC 85-265V DC 12V	400Lm	80Lm/W	2700-7000K	120°	Ra>72	4400mAh 7.4V
RFL1-10	10W	AC 85-265V DC 12V	720Lm	80Lm/W	2700-7000K	120°	Ra>72	4400mAh 7.4V
RFL1-20	20W	AC 85-265V DC 12V	1,600Lm	80Lm/W	2700-7000K	120°	Ra>72	6600mAh 7.4V
RFL1-30	30W	AC 85-265V DC 12V	2,400Lm	80Lm/W	2700-7000K	120°	Ra>72	8800mAh 7.4V
RFL1-50	50W	AC 85-265V DC 12V	3,000Lm	80Lm/W	2700-7000K	120°	Ra>72	8800mAh 7.4V



产品特性 Features

- ☆ 光源采用普瑞芯片,低功耗、高效率、寿命更长;
- ☆ 灯体采用优质压铸铝材,具有优良的抗腐蚀性、防开裂,经过烤漆工艺处理,永不褪色;
- ☆ 可调角度设计,满足客户各种安装需求;
- ☆ 产品环保、无污染(不含铅和汞)、无辐射,有利于循环再利用。

- ☆ Using Bridgelux LED chip, low power consumption, low light decay, high efficiency, long service life.
- ☆ Body material applies high quality aluminum die casting, corrosion resistant, anti-cracking, non-fading color by stoving varnish.
- ☆ Beam angle changeable design, meeting different installation requirement.
- ☆ Environmental protection, no pollution (without lead & mercury), no radiation, favourable to recycle.

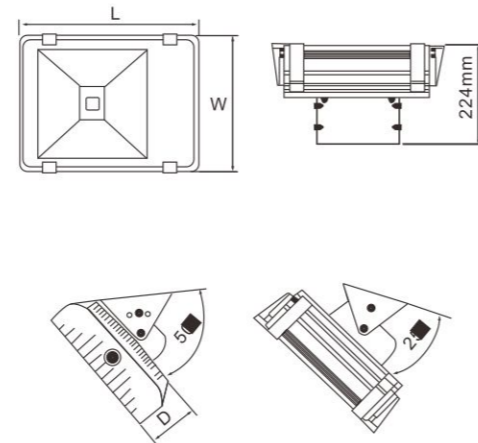
适用范围:

- ☆ 广泛应用于隧道、高速收费站、加油站、雕塑、广场、码头等需要聚光及灯光装饰的地方。

Application:

- ☆ Widely used in tunnel, highway toll stations, gas stations, sculpture, square, dock etc.

产品尺寸图 Outline Drawing



技术参数 Technical Parameters

型号 Model	产品尺寸 Size L*W*D(mm)	额定功率 LED power	输入电压 Voltage	频率 Frequency	光通量 Luminous Flux	光效 Luminous Efficiency	色温 Color Temperature	光束角 Beam Angle	显色指数 CRI(Ra)	功率因素 Power Factor	寿命 Life Span	环境温度 Ambient Temperature
LTL1-80	367*292*93	80W	AC 85-265V	50-60Hz	7,600Lm	95Lm/W	2700-7000K	120°	Ra>72	>0.90	>50000Hrs	-40°C~+50°C
LTL1-160	610*292*93	160W	AC 85-265V	50-60Hz	15,200Lm	95Lm/W	2700-7000K	120°	Ra>72	>0.90	>50000Hrs	-40°C~+50°C
LTL1-200	690*92*93	200W	AC 85-265V	50-60Hz	19,000Lm	95Lm/W	2700-7000K	120°	Ra>72	>0.90	>50000Hrs	-40°C~+50°C
LTL1-240	1200*292*93	240W	AC 85-265V	50-60Hz	22,800Lm	95Lm/W	2700-7000K	120°	Ra>72	>0.90	>50000Hrs	-40°C~+50°C
LTL1-360	1225*292*93	360W	AC 85-265V	50-60Hz	34,200Lm	95Lm/W	2700-7000K	120°	Ra>72	>0.90	>50000Hrs	-40°C~+50°C
LTL1-400	1360*292*93	400W	AC 85-265V	50-60Hz	38,000Lm	95Lm/W	2700-7000K	120°	Ra>72	>0.90	>50000Hrs	-40°C~+50°C



产品特性 Features

- ☆ 采用普瑞芯片,低功耗、高效率、寿命更长;
- ☆ 高透光玻璃透镜产生符合道路照明的配光。
- ☆ 外形美观大方,产品防护等级IP65。

- ☆ Using Bridgelux LED chip, low power consumption, high efficiency, long service life.
- ☆ High light pervious glass lens to create light distribution which meets the requirements for roadway lighting.
- ☆ Elegant appearance, protection grade IP65

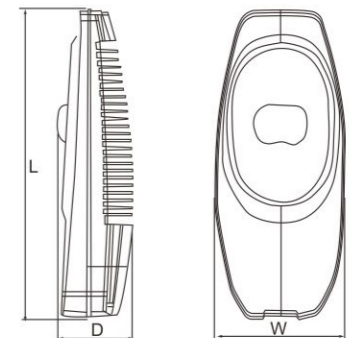
适用范围:

- ☆ 广泛应用于道路、庭院小区、厂区、乡村小道、城市人行道等。

Application:

- ☆ Widely used in roadway, courtyard, factory, country road, side pavement

产品尺寸图 Outline Drawing



技术参数 Technical Parameters

型号 Model	产品尺寸 Size L*W*D(mm)	额定功率 LED power	输入电压 Voltage	频率 Frequency	光通量 Luminous Flux	光效 Luminous Efficiency	色温 Color Temperature	光束角 Beam Angle	显色指数 CRI(Ra)	功率因素 Power Factor	寿命 Life Span	环境温度 Ambient Temperature
LSL1-60	660*274*161	60W	AC 85-265V	50-60Hz	5,700Lm	95Lm/W	2700-7000K	70°	Ra > 72	>0.90	> 50000Hrs	-40°C~+50°C
LSL1-80	660*274*161	80W	AC 85-265V	50-60Hz	7,600Lm	95Lm/W	2700-7000K	70°	Ra > 72	>0.90	> 50000Hrs	-40°C~+50°C
LSL1-100	660*274*161	100W	AC 85-265V	50-60Hz	9,500Lm	95Lm/W	2700-7000K	70°	Ra > 72	>0.90	> 50000Hrs	-40°C~+50°C
LSL1-120	660*274*161	120W	AC 85-265V	50-60Hz	11,400Lm	95Lm/W	2700-7000K	70°	Ra > 72	>0.90	> 50000Hrs	-40°C~+50°C
LSL1-150	660*274*161	150W	AC 85-265V	50-60Hz	14,250Lm	95Lm/W	2700-7000K	70°	Ra > 72	>0.90	> 50000Hrs	-40°C~+50°C



产品特性 Features

- ☆ 高透光玻璃透镜产生符合道路照明的配光。
- ☆ 外形美观大方，产品防护等级 IP65。
- ☆ 灯杆接口直径Φ60mm
- ☆ High light pervious glass lens to creat light distribution which meets the requirements for roadway lighting.
- ☆ Elegant appearance, protection grade IP65
- ☆ Connector of lamp standard: Φ60mm

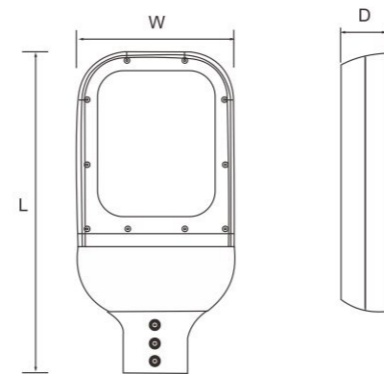
适用范围:

- ☆ 广泛应用于道路、庭院小区、厂区、乡村小道、城市人行道等。

Application:

- ☆ Widely used in roadway, courtyard, factory, country road, side pavement

产品尺寸图 Outline Drawing



技术参数 Technical Parameters

型号 Model	产品尺寸 Size L*W*D(mm)	额定功率 LED power	输入电压 Voltage	频率 Frequency	光通量 Luminous Flux	光效 Luminous Efficiency	色温 Color Temperature	光束角 Beam Angle	显色指数 CRI(Ra)	功率因素 Power Factor	寿命 Life Span	环境温度 Ambient Temperature
LSL2-30	480*210*69	30W	AC 85-265V	50-60Hz	2,400Lm	80Lm/W	2700-7000K	120°	Ra>72	>0.90	>50000Hrs	-40°C~+50°C
LSL2-40	480*210*69	40W	AC 85-265V	50-60Hz	3,200Lm	80Lm/W	2700-7000K	120°	Ra>72	>0.90	>50000Hrs	-40°C~+50°C
LSL2-50	480*210*69	50W	AC 85-265V	50-60Hz	4,000Lm	80Lm/W	2700-7000K	120°	Ra>72	>0.90	>50000Hrs	-40°C~+50°C
LSL2-60	580*245*69	60W	AC 85-265V	50-60Hz	4,800Lm	80Lm/W	2700-7000K	120°	Ra>72	>0.90	>50000Hrs	-40°C~+50°C
LSL2-80	580*245*69	80W	AC 85-265V	50-60Hz	6,400Lm	80Lm/W	2700-7000K	120°	Ra>72	>0.90	>50000Hrs	-40°C~+50°C
LSL2-90	680*308*69	90W	AC 85-265V	50-60Hz	7,200Lm	80Lm/W	2700-7000K	120°	Ra>72	>0.90	>50000Hrs	-40°C~+50°C
LSL2-100	680*308*69	100W	AC 85-265V	50-60Hz	8,000Lm	80Lm/W	2700-7000K	120°	Ra>72	>0.90	>50000Hrs	-40°C~+50°C
LSL2-120	680*308*69	120W	AC 85-265V	50-60Hz	9,600Lm	80Lm/W	2700-7000K	120°	Ra>72	>0.90	>50000Hrs	-40°C~+50°C
LSL2-150	783*348*69	150W	AC 85-265V	50-60Hz	12,000Lm	80Lm/W	2700-7000K	120°	Ra>72	>0.90	>50000Hrs	-40°C~+50°C



产品特性 Features

- ☆ 高亮普瑞芯片，采用透镜配光，高效更节能。
- ☆ 设计精巧，安装方便。
- ☆ 防护等级IP65。
- ☆ High efficient & energy saving by adopting high luminant Bridgelux chip & optical lens.
- ☆ Well designed & easy installation.
- ☆ Protection Grade: IP65.

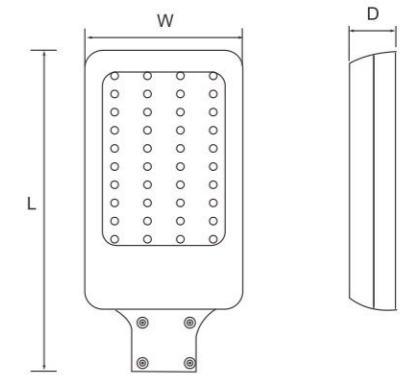
适用范围:

- ☆ 广泛应用于道路、庭院小区、厂区、乡村小道、城市人行道等。

Application:

- ☆ Widely used in roadway, courtyard, factory, country road, side pavement

产品尺寸图 Outline Drawing



技术参数 Technical Parameters

型号 Model	产品尺寸 Size L*W*D(mm)	额定功率 LED power	输入电压 Voltage	频率 Frequency	光通量 Luminous Flux	光效 Luminous Efficiency	色温 Color Temperature	光束角 Beam Angle	显色指数 CRI(Ra)	功率因素 Power Factor	寿命 Life Span	环境温度 Ambient Temperature
LSL5-12	350*115*75	12W	AC 85-265V	50-60Hz	9,600Lm	95Lm/W	2700-7000K	70°	Ra > 72	>0.90	> 50000Hrs	-40°C~+50°C
LSL5-20	400*155*80	20W	AC 85-265V	50-60Hz	16,000Lm	95Lm/W	2700-7000K	70°	Ra > 72	>0.90	> 50000Hrs	-40°C~+50°C
LSL5-30	540*235*80	30W	AC 85-265V	50-60Hz	24,000Lm	95Lm/W	2700-7000K	70°	Ra > 72	>0.90	> 50000Hrs	-40°C~+50°C
LSL5-40	540*235*80	40W	AC 85-265V	50-60Hz	32,000Lm	95Lm/W	2700-7000K	70°	Ra > 72	>0.90	> 50000Hrs	-40°C~+50°C
LSL5-72	570*265*80	72W	AC 85-265V	50-60Hz	57,000Lm	95Lm/W	2700-7000K	70°	Ra > 72	>0.90	> 50000Hrs	-40°C~+50°C



LSL3-70

产品特性 Features

- ☆ 高透光玻璃透镜产生符合道路照明的配光。
- ☆ 外形美观大方，产品防护等级 IP67。
- ☆ 灯杆接口直径Φ60mm

- ☆ High light pervious glass lens to creat light distribution which meets the requirements for roadway lighting.
- ☆ Elegant appearance, protection grade IP67.
- ☆ Connetor of lamp standard: Φ60mm

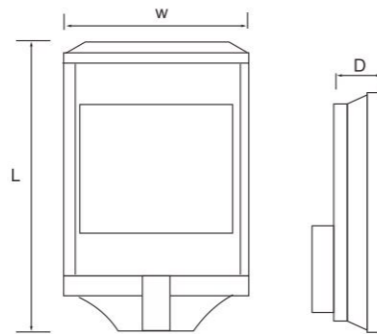
适用范围:

- ☆ 广泛应用于道路、庭院小区、厂区、乡村小道、城市人行道等。

Application:

- ☆ Widely used in roadway, courtyard, factory, country road, side pavement

产品尺寸图 Outline Drawing



技术参数 Technical Parameters

型号 Model	产品尺寸 Size L*W*D(mm)	额定功率 LED power	输入电压 Voltage	频率 Frequency	光通量 Luminous Flux	光效 Luminous Efficiency	色温 Color Temperature	光束角 Beam Angle	显色指数 CRI(Ra)	功率因素 Power Factor	寿命 Life Span	环境温度 Ambient Temperature
LSL3-28	185*305*80	28W	AC 85-265V	50-60Hz	2,240Lm	80Lm/W	2700-7000K	120°	Ra>72	>0.90	>50000Hrs	-40°C~+50°C
LSL3-42	245*305*80	42W	AC 85-265V	50-60Hz	3,360Lm	80Lm/W	2700-7000K	120°	Ra>72	>0.90	>50000Hrs	-40°C~+50°C
LSL3-56	460*305*80	56W	AC 85-265V	50-60Hz	4,480Lm	80Lm/W	2700-7000K	120°	Ra>72	>0.90	>50000Hrs	-40°C~+50°C
LSL3-70	520*305*80	70W	AC 85-265V	50-60Hz	5,600Lm	80Lm/W	2700-7000K	120°	Ra>72	>0.90	>50000Hrs	-40°C~+50°C
LSL3-84	580*305*80	84W	AC 85-265V	50-60Hz	6,720Lm	80Lm/W	2700-7000K	120°	Ra>72	>0.90	>50000Hrs	-40°C~+50°C
LSL3-98	640*305*80	98W	AC 85-265V	50-60Hz	7,840Lm	80Lm/W	2700-7000K	120°	Ra>72	>0.90	>50000Hrs	-40°C~+50°C
LSL3-112	700*305*80	112W	AC 85-265V	50-60Hz	8,960Lm	80Lm/W	2700-7000K	120°	Ra>72	>0.90	>50000Hrs	-40°C~+50°C
LSL3-126	760*305*80	126W	AC 85-265V	50-60Hz	10,080Lm	80Lm/W	2700-7000K	120°	Ra>72	>0.90	>50000Hrs	-40°C~+50°C
LSL3-140	820*305*80	140W	AC 85-265V	50-60Hz	11,200Lm	80Lm/W	2700-7000K	120°	Ra>72	>0.90	>50000Hrs	-40°C~+50°C
LSL3-154	880*305*80	154W	AC 85-265V	50-60Hz	12,320Lm	80Lm/W	2700-7000K	120°	Ra>72	>0.90	>50000Hrs	-40°C~+50°C



LSL6-50



LSL6-100



LSL6-150



产品特性 Features

- ☆ 设计精巧、安装方便，配光高效
- ☆ 压铸铝壳体，更强散热
- ☆ 防护等级IP65
- ☆ 灯杆接口直径Φ60mm

- ☆ Well designed, easy for installation, lighting distribution with LENS for high efficiency
- ☆ Die-cast housing, better heat radiation dissipation
- ☆ Connector diameter φ60mm
- ☆ Protection grade IP65

适用范围:

- ☆ 广泛应用于道路、庭院小区、厂区、乡村小路、城市人行道等

Application:

- ☆ Widely used in roadway, courtyard, factory, country road, side pavement

产品尺寸图 Outline Drawing

技术参数 Technical Parameters

型号 Model	产品尺寸 Size L*W*D(mm)	额定功率 LED power	输入电压 Voltage	频率 Frequency	光通量 Luminous Flux	光效 Luminous Efficiency	显色指数 CRI(Ra)	功率因素 Power Factor	色温 Color Temperature	光束角 Beam Angle	寿命 Life Span
LSL6-50	540*250*100	50W	AC 85-265V	50/60HZ	4000Lm	100Lm/W	Ra>72	>0.90	2700-6500K	120°	>50000Hrs
LSL6-100	650*250*120	100W	AC 85-265V	50/60HZ	8000Lm	100Lm/W	Ra>72	>0.90	2700-6500K	120°	>50000Hrs
LSL6-150	800*320*150	150W	AC 85-265V	50/60HZ	12000Lm	100Lm/W	Ra>72	>0.90	2700-6500K	120°	>50000Hrs



➤ 产品特性 Features

- ☆ 设计精巧、安装方便，配光高效。
- ☆ 模组带透镜配光，出光更均匀
- ☆ 灯杆接口直径Φ60mm
- ☆ Well designed, easy for installation. Lighting distribution with LENS
- ☆ Smart design with module
- ☆ Connector diameter φ60mm
- ☆ IP65 Protection Ratio

适用范围:

- ☆ 广泛应用于道路，庭院小区，厂区，乡村小路，城市人行道等

Application:

- ☆ Widely used in roadway, courtyard, factory, country road, side pavement

➤ 技术参数 Technical Parameters

型号 Model	产品尺寸 Size L*W*D(mm)	额定功率 LED power	输入电压 Voltage	频率 Frequency	光通量 Luminous Flux	光效 Luminous Efficiency	显色指数 CRI(Ra)	功率因素 Power Factor	色温 Color Temperature	光束角 Beam Angle	寿命 Life Span
LSL8-30	310*185*90	30W	AC 85-265V	50/60HZ	2400Lm	80Lm/W	Ra>72	>0.90	2700-6500K	120°	>50000Hrs
LSL8-50	310*185*90	50W	AC 85-265V	50/60HZ	4000Lm	80Lm/W	Ra>72	>0.90	2700-6500K	120°	>50000Hrs
LSL8-60	310*310*90	60W	AC 85-265V	50/60HZ	4800Lm	80Lm/W	Ra>72	>0.90	2700-6500K	120°	>50000Hrs
LSL8-90	435*310*90	90W	AC 85-265V	50/60HZ	7200Lm	80Lm/W	Ra>72	>0.90	2700-6500K	120°	>50000Hrs
LSL8-100	310*310*90	100W	AC 85-265V	50/60HZ	8000Lm	80Lm/W	Ra>72	>0.90	2700-6500K	120°	>50000Hrs
LSL8-120	560*310*90	120W	AC 85-265V	50/60HZ	9600Lm	80Lm/W	Ra>72	>0.90	2700-6500K	120°	>50000Hrs
LSL8-150	435*310*90	150W	AC 85-265V	50/60HZ	12000Lm	80Lm/W	Ra>72	>0.90	2700-6500K	120°	>50000Hrs
LSL8-200	560*310*90	200W	AC 85-265V	50/60HZ	16000Lm	80Lm/W	Ra>72	>0.90	2700-6500K	120°	>50000Hrs



➤ 产品特性 Features

- ☆ 壳体：优质不锈钢材料，壳体喷粉，高透光性PC灯罩。
- ☆ 光源：台湾原装芯片，高亮度、低光衰、长寿命；
- ☆ 双铝基板导热，镂空壳体辅以热对流空气动力学原理，高效解决散热问题。
- ☆ Power sprayed stainless steel shell.
- ☆ High light-admitting PC light cover.
- ☆ Light source: chip imported from Taiwan. High luminance, low lumens depreciation, long service life.
- ☆ Heat conduction by double aluminum PCB. Hollowed-out shell design based on aerodynamics ensures excellent heat dissipation performance.

适用范围:

- ☆ 适用于家庭照明、会议室、学校、医院、生产线、商场、酒店、超市等。

Application:

- ☆ Widely used in home lighting, conference room, school, hospital, production lines, shopping mall, hotel, supermarket etc.

➤ 产品尺寸图 Outline Drawing

➤ 技术参数 Technical Parameters

型号 Model	产品尺寸 Size L*W*D(mm)	额定功率 LED power	输入电压 Voltage	频率 Frequency	光通量 Luminous Flux	光效 Luminous Efficiency	色温 Color Temperature	光束角 Beam Angle	显色指数 CRI(Ra)	灯珠数量 LED Qty.
HBF2-75	1217*289*99	75W	AC 100-277V	50-60Hz	7,000Lm	90Lm/W	3000-5700K	130°	Ra>80	120
HBF2-100	1217*289*99	100W	AC 100-277V	50-60Hz	9,500Lm	90Lm/W	3000-5700K	130°	Ra>80	200
HBF2-150	1217*289*99	150W	AC 100-277V	50-60Hz	14,000Lm	90Lm/W	3000-5700K	130°	Ra>80	240
HBF2-240	1217*527*99	240W	AC 100-277V	50-60Hz	22,000Lm	90Lm/W	3000-5700K	130°	Ra>80	240
HBF2-300	1217*527*99	300W	AC 100-277V	50-60Hz	19,000Lm	90Lm/W	3000-5700K	130°	Ra>80	240



产品特性 Features

- ☆ 含多项设计专利，产品防护等级达到IP65。
- ☆ 光源采用台湾原装进口芯片，低功耗、高效率、寿命更长；
- ☆ 灯体采用优质航空铝材；高纯铝散热器采用强对流设计，完美解决散热问题，保证光源寿命；
- ☆ 45°聚光、120°散光灯罩可供选择。
- ☆ Design patent, protection grade IP65.
- ☆ Chip imported from Taiwan, low power consumption, high efficiency, long service life.
- ☆ Body material: high quality aluminum die casting, high purity aluminum radiator, severe convection design ensures excellent heat dissipation and long light source service life.
- ☆ 45°spotlight or 120° astigmatic lampshade can be choosed

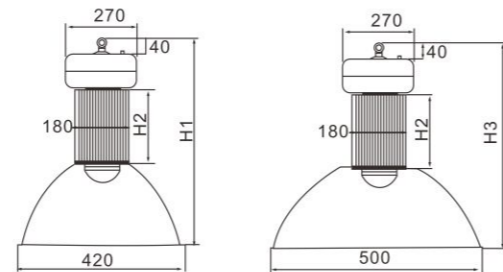
适用范围:

- ☆ 广泛用于工厂、体育馆、仓储、加油站、展厅、超市等场所。

Application:

- ☆ Widely used in factory, gym, warehouse, gas station, exhibition hall super market and other places.

产品尺寸图 Outline Drawing



技术参数 Technical Parameters

型号 Model	产品尺寸 Size H1+H2+H3(mm)	额定功率 LED power	输入电压 Voltage	光通量 Luminous Flux	频率 Frequency	光效 Luminous Efficiency	色温 Color Temperature	光束角 Beam Angle	显色指数 CRI(Ra)	功率因素 Power Factor	寿命 Life Span	环境温度 Ambient Temperature
HBL1-30	425*100*375	30W	AC 85-265V	2,400Lm	50-60Hz	80Lm/W	2700-7000K	45° /120°	Ra > 82	> 0.90	> 50000Hrs	-40°C~+50°C
HBL1-50	425*100*375	50W	AC 85-265V	4,000Lm	50-60Hz	80Lm/W	2700-7000K	45° /120°	Ra > 82	> 0.90	> 50000Hrs	-40°C~+50°C
HBL1-70	465*140*415	70W	AC 85-265V	5,600Lm	50-60Hz	80Lm/W	2700-7000K	45° /120°	Ra > 82	> 0.90	> 50000Hrs	-40°C~+50°C
HBL1-80	465*140*415	80W	AC 85-265V	6,400Lm	50-60Hz	80Lm/W	2700-7000K	45° /120°	Ra > 82	> 0.90	> 50000Hrs	-40°C~+50°C
HBL1-100	570*180*470	100W	AC 85-265V	8,000Lm	50-60Hz	80Lm/W	2700-7000K	45° /120°	Ra > 82	> 0.90	> 50000Hrs	-40°C~+50°C
HBL1-120	550*150*440	120W	AC 85-265V	9,600Lm	50-60Hz	80Lm/W	2700-7000K	45° /120°	Ra > 82	> 0.90	> 50000Hrs	-40°C~+50°C
HBL1-150	580*180*470	150W	AC 85-265V	12,000Lm	50-60Hz	80Lm/W	2700-7000K	45° /120°	Ra > 82	> 0.90	> 50000Hrs	-40°C~+50°C
HBL1-210	630*230*520	210W	AC 85-265V	16,800Lm	50-60Hz	80Lm/W	2700-7000K	45° /120°	Ra > 82	> 0.90	> 50000Hrs	-40°C~+50°C



产品特性 Features

- ☆ 含多项设计专利。
- ☆ 光源采用台湾原装进口芯片，低功耗、高效率、寿命更长；
- ☆ 灯体采用优质航空铝材；高纯铝散热器采用强对流设计，完美解决散热问题，保证光源寿命；
- ☆ 45°聚光、120°散光灯罩可供选择。
- ☆ Design patent.
- ☆ Chip imported from Taiwan, low power consumption, high efficiency, long service life.
- ☆ Body material: high quality aluminum die casting, high purity aluminum radiator, severe convection design ensures excellent heat dissipation and long light source service life.
- ☆ 45°spotlight or 120° astigmatic lampshade can be choosed

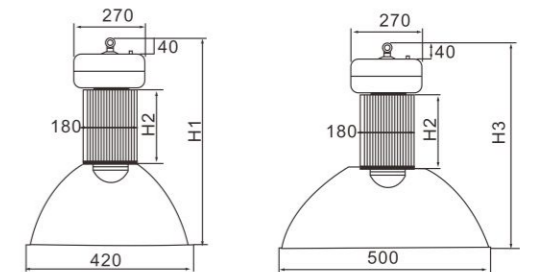
适用范围:

- ☆ 广泛用于工厂、体育馆、仓储、展厅、超市等场所。

Application:

- ☆ Widely used in factory, gym, warehouse, exhibition hall super market and other places.

产品尺寸图 Outline Drawing



技术参数 Technical Parameters

型号 Model	产品尺寸 Size H1+H2+H3(mm)	额定功率 LED power	输入电压 Voltage	光通量 Luminous Flux	频率 Frequency	光效 Luminous Efficiency	色温 Color Temperature	光束角 Beam Angle	显色指数 CRI(Ra)	功率因素 Power Factor	寿命 Life Span	环境温度 Ambient Temperature
HBL2-30	320*370*370	30W	AC 85-265V	2,400Lm	50-60Hz	80Lm/W	2700-7000K	45° /120°	Ra > 82	> 0.90	> 50000Hrs	-40°C~+50°C
HBL2-50	340*370*370	50W	AC 85-265V	4,000Lm	50-60Hz	80Lm/W	2700-7000K	45° /120°	Ra > 82	> 0.90	> 50000Hrs	-40°C~+50°C
HBL2-70	360*370*370	80W	AC 85-265V	5,600Lm	50-60Hz	80Lm/W	2700-7000K	45° /120°	Ra > 82	> 0.90	> 50000Hrs	-40°C~+50°C
HBL2-100	410*370*370	100W	AC 85-265V	6,400Lm	50-60Hz	80Lm/W	2700-7000K	45° /120°	Ra > 82	> 0.90	> 50000Hrs	-40°C~+50°C
HBL2-120	360*430*430	120W	AC 85-265V	8,000Lm	50-60Hz	80Lm/W	2700-7000K	45° /120°	Ra > 82	> 0.90	> 50000Hrs	-40°C~+50°C
HBL2-150	415*430*430	150W	AC 85-265V	9,600Lm	50-60Hz	80Lm/W	2700-7000K	45° /120°	Ra > 82	> 0.90	> 50000Hrs	-40°C~+50°C
HBL2-180	475*430*430	180W	AC 85-265V	12,000Lm	50-60Hz	80Lm/W	2700-7000K	45° /120°	Ra > 82	> 0.90	> 50000Hrs	-40°C~+50°C
HBL2-210	475*430*430	210W	AC 85-265V	16,800Lm	50-60Hz	80Lm/W	2700-7000K	45° /120°	Ra > 82	> 0.90	> 50000Hrs	-40°C~+50°C



➤ 产品特性 Features

- ☆ 光源采用台湾原装进口芯片、低功耗、高效率，寿命更长；
- ☆ 超薄设计，线性方案，壳体更轻，质量可靠，价格亲民。
- ☆ 透镜配光，节省空间及运输成本。
- ☆ SMD chip imported from Taiwan, low power consumption, low light decay, high efficiency, long service life.
- ☆ Slim design, Linear IC driver on board, reliable and low price.
- ☆ Lighting distribution with lens, saving space and transportation cost.

适用范围:

- ☆ 广泛用于工厂、体育馆、仓储、加油站、展厅、超市等场所。

Application:

- ☆ Widely used in factory, gym, warehouse, gas station, exhibition hall super market and other places

➤ 技术参数 Technical Parameters

型号 Model	产品尺寸 Size D*H(mm)	额定功率 LED power	输入电压 Voltage	频率 Frequency	光通量 Luminous Flux	光效 Luminous Efficiency	显色指数 CRI(Ra)	功率因素 Power Factor	色温 Color Temperature	光束角 Beam Angle	寿命 Life Span
DHBL1-50	268*60	50W	AC 200-240V / 110-130V	50/60HZ	4500Lm	90Lm/W	Ra>72	>0.90	2700-6500K	120°	>50000Hrs
DHBL1-70	268*60	70W	AC 200-240V / 110-130V	50/60HZ	6300Lm	90Lm/W	Ra>72	>0.90	2700-6500K	120°	>50000Hrs
DHBL1-100	308*60	100W	AC 200-240V / 110-130V	50/60HZ	9000Lm	90Lm/W	Ra>72	>0.90	2700-6500K	120°	>50000Hrs
DHBL1-150	308*60	150W	AC 200-240V / 110-130V	50/60HZ	13500Lm	90Lm/W	Ra>72	>0.90	2700-6500K	120°	>50000Hrs



➤ 产品特性 Features

- ☆ 壳体：优质铝型材，高透光性PC灯罩，1.5mm厚铝基板。
- ☆ 光源：优质2835芯片，合理排版，光线均匀。
- ☆ 电源：恒流驱动隔离电源。

适用范围:

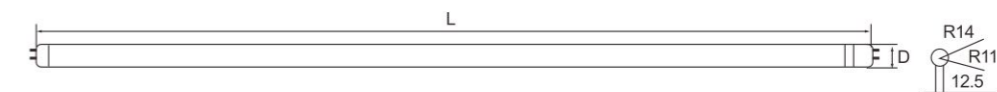
- ☆ 适用于家庭照明、会议室、学校、医院、生产线、商场、酒店、超市等。

Application:

- ☆ Widely used in home lighting, conference room, school, hospital, production lines, shopping mall, hotel, supermarket etc.

- ☆ Shell: quality aluminum shell, high light-admitting PC lampshade, thick aluminum base with 1.5mm
- ☆ Light source: 2835 chip with high quality, reasonable distribution, uniform light.
- ☆ Power: constant current driver isolated power.

➤ 产品尺寸图 Outline Drawing



- ☆ R14 and R11 are connector type

➤ 技术参数 Technical Parameters

型号 Model	产品尺寸 Size D*L(mm)	额定功率 LED power	输入电压 Voltage	频率 Frequency	光通量 Luminous Flux	光效 Luminous Efficiency	色温 Color Temperature	光束角 Beam Angle	显色指数 CRI(Ra)	功率因素 Power Factor	灯珠数量 LED Qty.
LT8-9	Φ26*600	9W	AC 85-265V	50-60Hz	810Lm	90Lm/W	2700-7000K	130°	Ra>72	>0.90	48
LT8-12	Φ26*900	12W	AC 85-265V	50-60Hz	1,080Lm	90Lm/W	2700-7000K	130°	Ra>72	>0.90	68
LT8-18	Φ26*1200	18W	AC 85-265V	50-60Hz	1,620Lm	90Lm/W	2700-7000K	130°	Ra>72	>0.90	96



产品特性 Features

产品尺寸图 Outline Drawing

- ★ 采用超高亮SMD芯片, 使用寿命长, 显色性高, 发光均匀稳定。
- ★ 高透光性PC灯罩, 透光率高、发光均匀、光线柔和。
- ★ 内置优质铝一体散热器, 加速芯片、电源的散热, 有效延缓光衰速度。
- ★ E14,E27,E40国际标准旋口, 广泛用于不同类型的灯具。

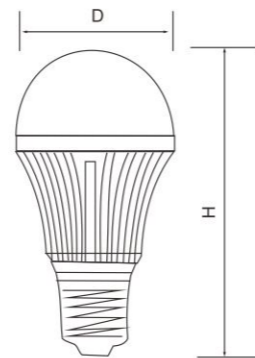
- ★ Ultra bright SMD chips, long service life, high color rendering, uniform & stable luminance.
- ★ High quality glass cover, high light transmittance, uniform & soft light.
- ★ Built-in high quality aluminum radiator, provides excellent radiation effect.
- ★ International standard E14, E27, E40 lamp head, widely applied for different types of light.

适用范围:

- ★ 适用于家居、酒店、商场等场所照明。

Application:

- ★ Applied as lighting in residence, hotel, shopping mall etc.



技术参数 Technical Parameters

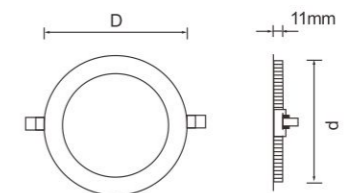
型号 Model	额定功率 LED power	产品尺寸 Product Size D*H(mm)	输入电压 Voltage	光通量 Luminous Flux	频率 Frequency	色温 Color Temperature	光束角 Beam Angle	显色指数 CRI(Ra)	寿命 Life Span
LP1-3	3W	50*95	AC 85-265V	240Lm	50-60Hz	2700-7000K	140°	Ra > 80	35,000Hrs
LP1-5	5W	60*105	AC 85-265V	400Lm	50-60Hz	2700-6500K	140°	Ra > 80	35,000Hrs
LP1-7	7W	70*115	AC 85-265V	560Lm	50-60Hz	2700-6500K	140°	Ra > 80	35,000Hrs
LP1-9	9W	80*125	AC 85-265V	720Lm	50-60Hz	2700-6500K	140°	Ra > 80	35,000Hrs
LP1-12	12W	90*145	AC 85-265V	960Lm	50-60Hz	2700-6500K	140°	Ra > 80	35,000Hrs
LP1-15	15W	95*160	AC 85-265V	1200Lm	50-60Hz	2700-6500K	140°	Ra > 80	35,000Hrs
LP1-24	24W	105*220	AC 85-265V	1920Lm	50-60Hz	2700-6500K	140°	Ra > 80	35,000Hrs
LP1-36	36W	125*235	AC 85-265V	2880Lm	50-60Hz	2700-6500K	140°	Ra > 80	35,000Hrs

产品特性 Features

产品尺寸图 Outline Drawing

- ★ 超高亮芯片, 使用寿命长, 显色性高, 发光均匀稳定。
- ★ 灯体采用航空车铝型材, 5层静电喷涂涂层, 无甲醛辐射散热漆, 有效绝缘辅助散热, 防腐蚀, 抗氧化。
- ★ 一体化直条纹散热器采用精工航空优质压铸铝型材, 高导热系数, 快速散热, 完美解决散热问题, 保证LED使用寿命。
- ★ 高透光性亚克力导光面板, 出光均匀, 光线柔和, 有效护眼。
- ★ 智能IC控制恒流驱动电源, 自动开启智能防护模式, 防漏电, 灯光不受电压波动影响, 居家安全更放心。
- ★ 驱动电源与灯体之间, 采用公母对接端子, 拆装便捷、防水防潮、更防漏电。

- ★ Ultra bright SMD chips, long service life, high color rendering, uniform & stable luminance.
- ★ Aviation aluminum made light body, 5-layers electrostatic coating, formaldehyde-free radiator paint provides effective insulation and helps heat dissipation, anti-corrosion & antioxidant.
- ★ Integrated strip radiator adopts fine workmanship die-casting aluminum, high heat conductivity coefficient, fast heat dissipation, excellent heat dissipation effect.
- ★ High quality PMMA acrylic high light transmitting panel, soft & uniform light, eye-protective.
- ★ Intelligent constant current drive, adopts IC constant current chip, intelligent protection mode auto on, leakage protective for safety.
- ★ Male & female connector between driver & body, easy disassembly & assembly, water & humidity proof, leakage protective.



适用范围:

- ★ 适用于客厅、餐厅、厨房、卧室。

Application:

- ★ Widely used in dining room, living room, bedroom, kitchen.

技术参数 Technical Parameters

型号 Model	额定功率 LED power	产品尺寸 Product Size D(mm)	开孔尺寸 Hole Size d(mm)	输入电压 Voltage	光通量 Luminous Flux	频率 Frequency	色温 Color Temperature	显色指数 CRI(Ra)	寿命 Life Span
RPL1-3	3W	80	68	AC 85-265V	240Lm	50-60Hz	2700-7000K	Ra > 80	35,000Hrs
RPL1-4	4W	105	90	AC 85-265V	320Lm	50-60Hz	2700-6500K	Ra > 80	35,000Hrs
RPL1-6	6W	120	105	AC 85-265V	480Lm	50-60Hz	2700-6500K	Ra > 80	35,000Hrs
RPL1-9	9W	150	130	AC 85-265V	720Lm	50-60Hz	2700-6500K	Ra > 80	35,000Hrs
RPL1-12	12W	170	150	AC 85-265V	960Lm	50-60Hz	2700-6500K	Ra > 80	35,000Hrs
RPL1-15	15W	200	180	AC 85-265V	1200Lm	50-60Hz	2700-6500K	Ra > 80	35,000Hrs
RPL1-18	18W	225	205	AC 85-265V	1440Lm	50-60Hz	2700-6500K	Ra > 80	35,000Hrs
RPL1-24	24W	300	280	AC 85-265V	1920Lm	50-60Hz	2700-6500K	Ra > 80	35,000Hrs

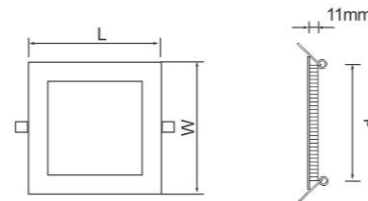


产品特性 Features

- ★ 超高亮芯片, 使用寿命长, 显色性高, 发光均匀稳定。
- ★ 灯体采用航空铝型材, 5层静电喷涂表层, 无甲醛辐射散热漆, 有效绝缘辅助散热, 防腐蚀, 抗氧化。
- ★ 一体化直条纹散热器采用精工航空压铸铝型材, 高热系数, 快速散热, 完美解决散热问题, 保证LED使用寿命。
- ★ 高透光性亚克力导光面板, 出光均匀, 光线柔和, 有效护眼。
- ★ 智能IC控制恒流驱动电源, 自动开启智能防护模式, 防漏电, 灯光不受电压波动影响, 居家安全更放心。
- ★ 驱动电源与灯体之间, 采用公母对接端子, 拆装便捷、防水防潮、更防漏电。

- ★ Ultra bright SMD chips, long service life, high color rendering, uniform & stable luminance.
- ★ Aviation aluminum made light body, 5-layers electrostatic coating, formaldehyde-free radiator paint provides effective insulation and helps heat dissipation, anti-corrosion & antioxidant.
- ★ Integrated strip radiator adopts fine workmanship die-casting aluminum, high heat conductivity coefficient, fast heat dissipation, excellent heat dissipation effect.
- ★ High quality PMMA acrylic high light transmitting panel, soft & uniform light, eye-protective.
- ★ Intelligent constant current drive, adopts IC constant current chip, intelligent protection mode auto on, leakage protective for safety.
- ★ Male & female connector between driver & body, easy disassembly & assembly, water & humidity proof, leakage protective.

产品尺寸图 Outline Drawing



适用范围:

- ★ 适用于客厅、餐厅、厨房、卧室。

Application:

- ★ Widely used in dining room, living room, bedroom, kitchen.

技术参数 Technical Parameters

型号 Model	额定功率 LED power	产品尺寸 Product Size L*W(mm)	开孔尺寸 Hole Size d (mm)	输入电压 Voltage	光通量 Luminous Flux	频率 Frequency	色温 Color Temperature	显色指数 CRI(Ra)	寿命 Life Span
SPL1-3	3W	80*80	68*68	AC 85-265V	240Lm	50-60Hz	2700-7000K	Ra>80	35,000Hrs
SPL1-4	4W	105*105	90*90	AC 85-265V	320Lm	50-60Hz	2700-6500K	Ra>80	35,000Hrs
SPL1-6	6W	120*120	105*105	AC 85-265V	480Lm	50-60Hz	2700-6500K	Ra>80	35,000Hrs
SPL1-9	9W	150*150	130*130	AC 85-265V	720Lm	50-60Hz	2700-6500K	Ra>80	35,000Hrs
SPL1-12	12W	170*170	150*150	AC 85-265V	960Lm	50-60Hz	2700-6500K	Ra>80	35,000Hrs
SPL1-15	15W	200*200	180*180	AC 85-265V	1200Lm	50-60Hz	2700-6500K	Ra>80	35,000Hrs
SPL1-18	18W	225*225	205*205	AC 85-265V	1440Lm	50-60Hz	2700-6500K	Ra>80	35,000Hrs
SPL1-24	24W	300*300	280*280	AC 85-265V	1920Lm	50-60Hz	2700-6500K	Ra>80	35,000Hrs

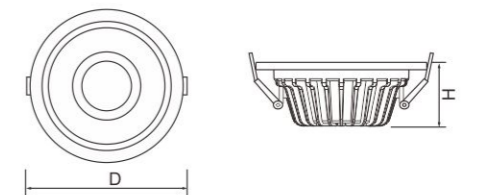


产品特性 Features

- ★ 采用超高亮COB或SMD芯片, 光线柔和, 显色性高。
- ★ 灯体采用精工航空加厚环保铝材, 表面经阳极氧化处理, 永不褪色。
- ★ 反光罩运用精准的反射雕刻, 充分反射光源的每一丝光, 真空电镀冲力, 让节能更真实。
- ★ 高透防眩玻璃面板, 透光率高达95%以上, 发光均匀光线柔和, 光损耗低。
- ★ 智能IC控制驱动电源, 长寿命电容宽电压设计, 过载欠压保护, 高精度控制电路质量稳定。

- ★ Ultra bright COB or SMD Chip, Soft light, high color rendering.
- ★ Fine workmanship aviation thicken environment-friendly aluminum adopted for light body, anodic oxidation treatment for surface, color never fades.
- ★ Accurate reflect engraving for reflector, sufficient light reflect, vacuum plating, energy saving.
- ★ High light transmitting anti-dazzle glass, light transmittance above 95%, uniform & soft light, low optical loss. driver adopts intelligent IC chip, long service time capacitor, wide voltage, overload protective, stable quality high accuracy control circuit.

产品尺寸图 Outline Drawing



适用范围:

- ★ 适用于家庭、办公室、酒店、商场、展柜、过道。

Application:

- ★ Widely used in residence, office, restaurant, shopping mall, corridor, and showcase.

技术参数 Technical Parameters SMD Chip

型号 Model	额定功率 LED power	产品尺寸 Product Size D*H(mm)	开孔尺寸 Hole Size (mm)	输入电压 Voltage	光通量 Luminous Flux	频率 Frequency	色温 Color Temperature	光束角 Beam Angle	显色指数 CRI(Ra)	寿命 Life Span
DL1-3	3W	85*45	65	AC 85-265V	240Lm	50-60Hz	2700-7000K	120°	Ra>80	35,000Hrs
DL1-5	5W	105*50	85	AC 85-265V	400Lm	50-60Hz	2700-6500K	120°	Ra>80	35,000Hrs
DL1-7	7W	105*50	85	AC 85-265V	560Lm	50-60Hz	2700-6500K	120°	Ra>80	35,000Hrs
DL1-10	10W	130*48	105	AC 85-265V	720Lm	50-60Hz	2700-6500K	120°	Ra>80	35,000Hrs
DL1-12	12W	130*48	105	AC 85-265V	960Lm	50-60Hz	2700-6500K	120°	Ra>80	35,000Hrs
DL1-15	15W	165*50	138	AC 85-265V	1200Lm	50-60Hz	2700-6500K	120°	Ra>80	35,000Hrs
DL1-18	18W	190*52	165	AC 85-265V	1440Lm	50-60Hz	2700-6500K	120°	Ra>80	35,000Hrs
DL1-24	24W	220*55	198	AC 85-265V	1920Lm	50-60Hz	2700-6500K	120°	Ra>80	35,000Hrs
DL1-30	30W	220*55	198	AC 85-265V	2400Lm	50-60Hz	2700-6500K	120°	Ra>80	35,000Hrs



产品特性 Features

- ☆ 高效节能, 50000小时超长寿命。
- ☆ 安装方便, 无需维护, 内置驱动电源接入市电即可工作。
- ☆ 产品无紫外线、红外线辐射, 不会招引蚊虫, 灯具可以长期保持干净整洁。
- ☆ 防护等级IP65, 防水、防尘。
- ☆ 雷达感应装置, 感应范围直径2-12m, 工作时间10±2S-8±2min可调。
- ☆ Energy-saving, long lifespan more than 50000 hours
- ☆ Driver inside the body, easy to install, directly connect to AC electricity circuit.
- ☆ Ultraviolet rays & infrared radiation free. Light wouldn't attract mosquitoes, and could keep clean & tidy for long-term
- ☆ Radar sensor optional, sense are diameter from 2m to 12m, working time adjustable from 10±2S-8±2min.

适用范围:

- ☆ 适用于厨房, 卫生间, 阳台, 过道等场所照明。

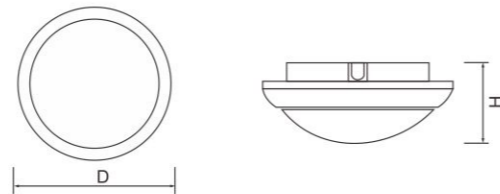
Application:

- ☆ Applied as kitchen, bathroom, balcony, corridor and other places lighting shopping mall etc.

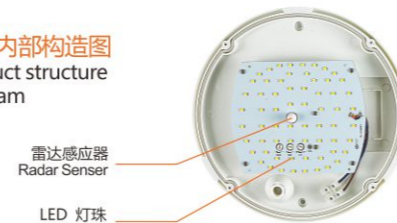
技术参数 Technical Parameters

型号 Model	额定功率 LED power	产品尺寸 Product Size D*H*W(mm)	输入电压 Voltage	光通量 Luminous Flux	频率 Frequency	色温 Color Temperature	光束角 Beam Angle	显色指数 CRI(Ra)	寿命 Life Span
LCL2-8R	8W	178*80	AC 85-265V	240Lm	50-60Hz	2700-7000K	140°	Ra>80	35,000Hrs
LCL2-12R	12W	230*105	AC 85-265V	400Lm	50-60Hz	2700-7000K	140°	Ra>80	35,000Hrs
LCL2-8	8W	187*126*76	AC 85-265V	560Lm	50-60Hz	2700-7000K	140°	Ra>80	35,000Hrs
LCL2-12	12W	242*165*96	AC 85-265V	720Lm	50-60Hz	2700-7000K	140°	Ra>80	35,000Hrs
LCL2S-8R	8W	178*80	AC 85-265V	240Lm	50-60Hz	2700-7000K	140°	Ra>80	35,000Hrs
LCL2S-8R	12W	230*105	AC 85-265V	400Lm	50-60Hz	2700-7000K	140°	Ra>80	35,000Hrs
LCL2S-8	8W	187*126*76	AC 85-265V	560Lm	50-60Hz	2700-7000K	140°	Ra>80	35,000Hrs
LCL2S-12	12W	242*165*96	AC 85-265V	720Lm	50-60Hz	2700-7000K	140°	Ra>80	35,000Hrs

产品尺寸图 Outline Drawing



产品内部构造图
Product structure diagram



产品特性 Features

- ☆ 高效节能。50000小时超长寿命。
- ☆ 安装方便, 无需维护, 内置驱动电源接入市电即可工作。
- ☆ 产品无紫外线、红外线辐射, 不会招引蚊虫, 灯具可以长期保持干净整洁。
- ☆ 防护等级IP65, 防水、防尘。
- ☆ 雷达感应装置, 感应范围直径2-12M, 工作时间10±2S-8±2min可调。
- ☆ Energy-saving, long lifespan more than 50000 hours.
- ☆ Driver inside the body, easy to install, directly connect to AC electricity circuit.
- ☆ Non-ultraviolet rays & non-infrared radiation, Light is tidy by keeping away from the mosquito.
- ☆ Protection Grade with IP65, waterproof & dustproof.
- ☆ Radar sensor, sense range is from φ2m to φ12m, working time adjustable from 10±2s-8±2min.

适用范围:

- ☆ 适用于厨房, 卫生间, 阳台, 过道等场所照明

Application:

- ☆ Widely used for kitchen, bathroom, balcony, corridor and other places

技术参数 Technical Parameters

型号 Model	产品尺寸 Size L*W*D(mm)	额定功率 LED power	输入电压 Voltage	频率 Frequency	光通量 Luminous Flux	光效 Luminous Efficiency	显色指数 CRI(Ra)	功率因素 Power Factor	色温 Color Temperature	光束角 Beam Angle	寿命 Life Span
LCL5-8R	180*45	8W	AC 200-240V	50/60HZ	600Lm	80Lm/W	Ra>72	>0.90	2700-6500K	120°	>35000Hrs
LCL5-12R	180*45	12W	AC 200-240V	50/60HZ	900Lm	80Lm/W	Ra>72	>0.90	2700-6500K	120°	>35000Hrs
LCL5-15R	220*50	15W	AC 200-240V	50/60HZ	1200Lm	80Lm/W	Ra>72	>0.90	2700-6500K	120°	>35000Hrs
LCL5-18R	220*50	18W	AC 200-240V	50/60HZ	1500Lm	80Lm/W	Ra>72	>0.90	2700-6500K	120°	>35000Hrs
LCL5-8	187*126*35	8W	AC 200-240V	50/60HZ	600Lm	80Lm/W	Ra>72	>0.90	2700-6500K	120°	>35000Hrs
LCL5-12	242*165*35	12W	AC 200-240V	50/60HZ	900Lm	80Lm/W	Ra>72	>0.90	2700-6500K	120°	>35000Hrs

