

# FULL CUTOFF WALL PACK

## Installation Guide



### WARNING

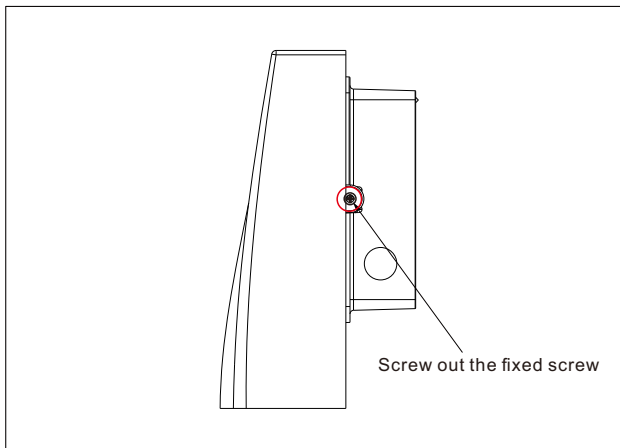
#### PLEASE READ ALL INSTRUCTIONS BEFORE ATTEMPTING INSTALLATION

- To prevent personal injury or product damage only licensed electricians should install.
- To avoid electric shock or component damage disconnect power before attempting installation or servicing.
- This product must be installed in accordance with the national electric code (NEC) and all applicable federal, state and local electric codes and safety standards.
- Disconnect product and allow cooling prior to servicing.
- Any alteration or modification of this product is expressly forbidden as it may cause serious personal injury, death, property damage and/or product malfunction.
- To prevent product malfunction and/or electrical shock this product must be properly grounded.
- This luminaire is designed to operate in ambient temperatures ranging from -25°C to 40°C and to be horizontally mounted with the LEDs facing down.

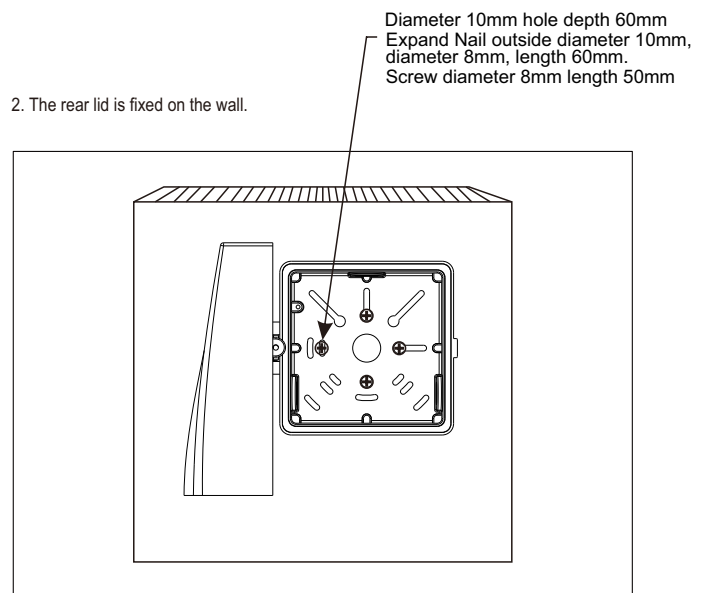
## Installation

### 1. Rear lid fixed wall

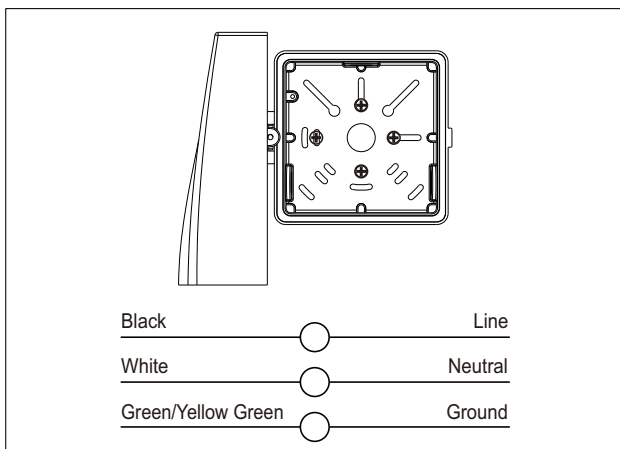
1. Open the rear lid.



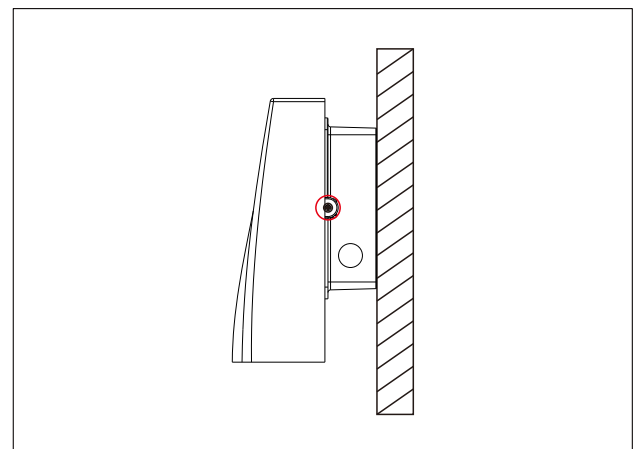
2. The rear lid is fixed on the wall.



3. Connect the power cord, the green is the ground wire.



4. Close the rear lid, and then use the screws to secure the rear lid, installation is complete.



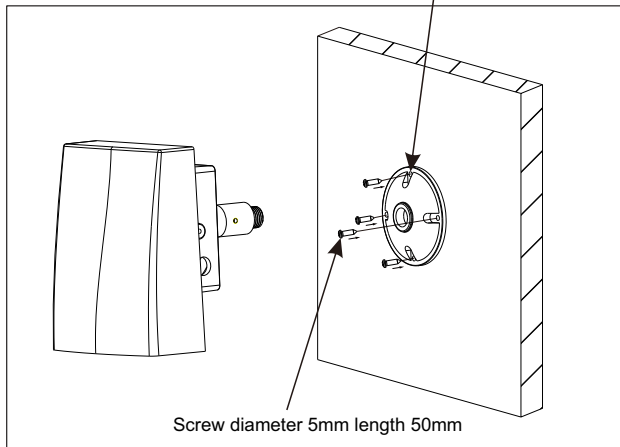
# FULL CUTOFF WALL PACK

## Installation Guide

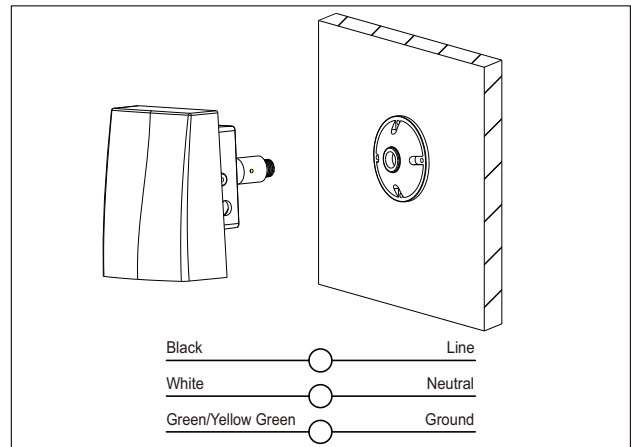
### 2. Rocker arm mounting mode

1. The base is fixed on the wall.

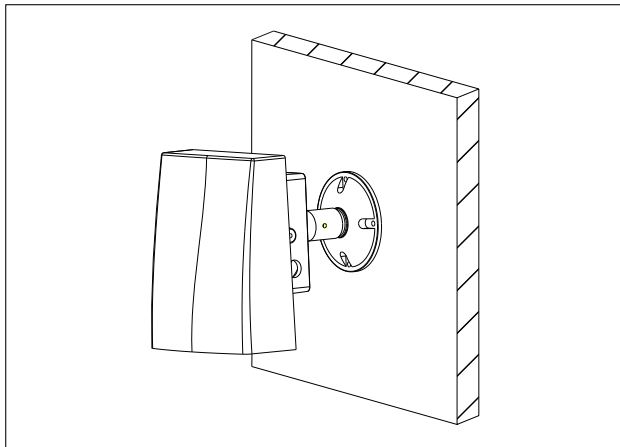
Diameter 8mm hole depth 60mm  
Expansion tube outside diameter 8mm,  
diameter 6mm, length 60mm.



2. Connect the power cord, the green is the ground wire.

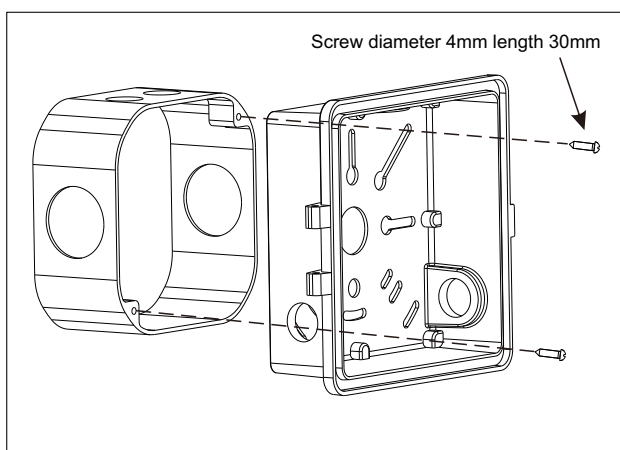


3. Rotate the screw, so that the bracket is fixed on the base, installation is complete.



### 3.Fixed frame mode

1. Install the fixture mounting box on the electrical box



2. Make connections in the compartment use the included wire connections to match the white wire from the line feed with the white wire from the fixture and to match the black wire from the line feed with the black wire from the fixture. Then, match the copper wire from the fixture to the ground screw on the mounting box.

