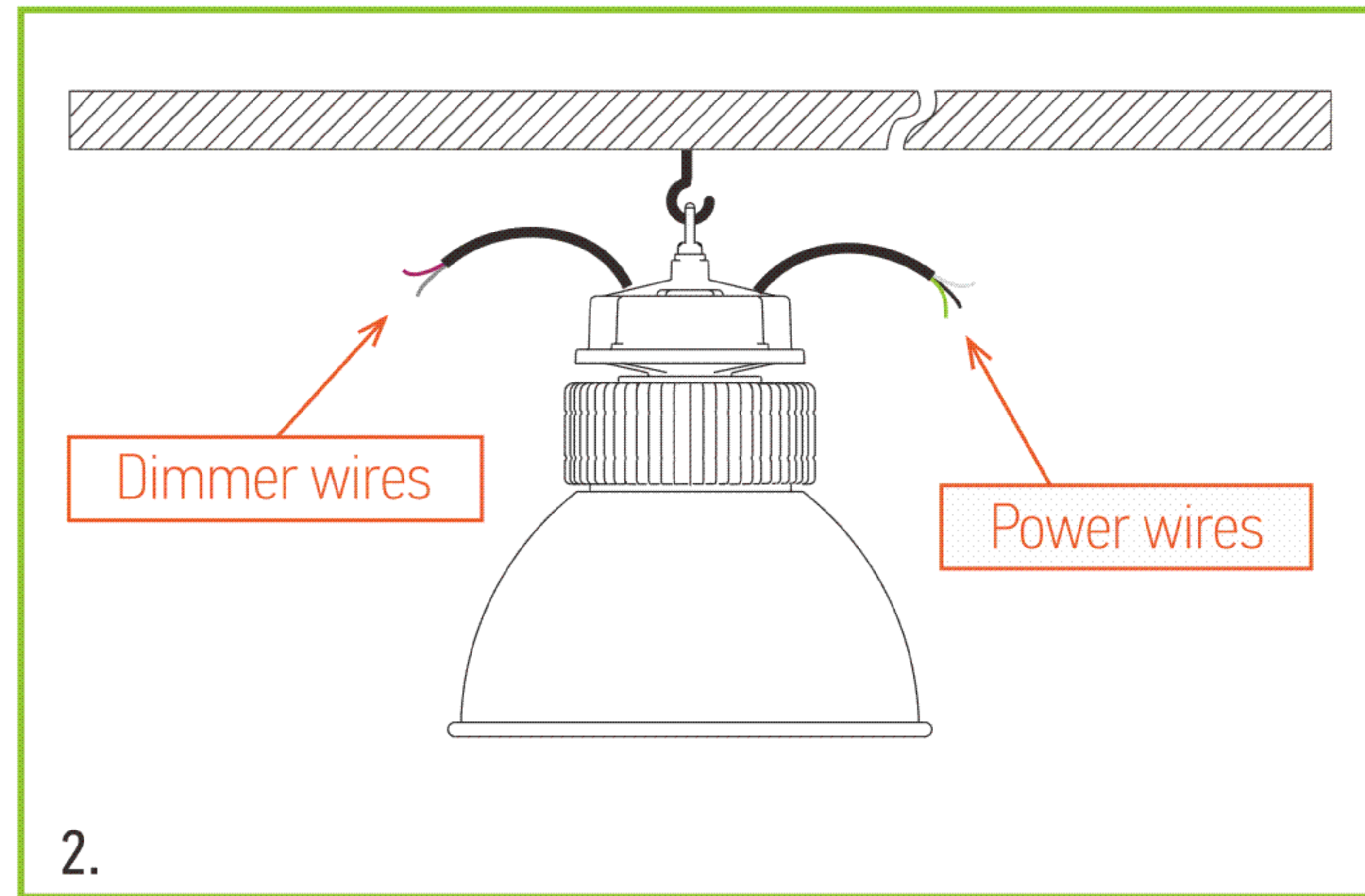
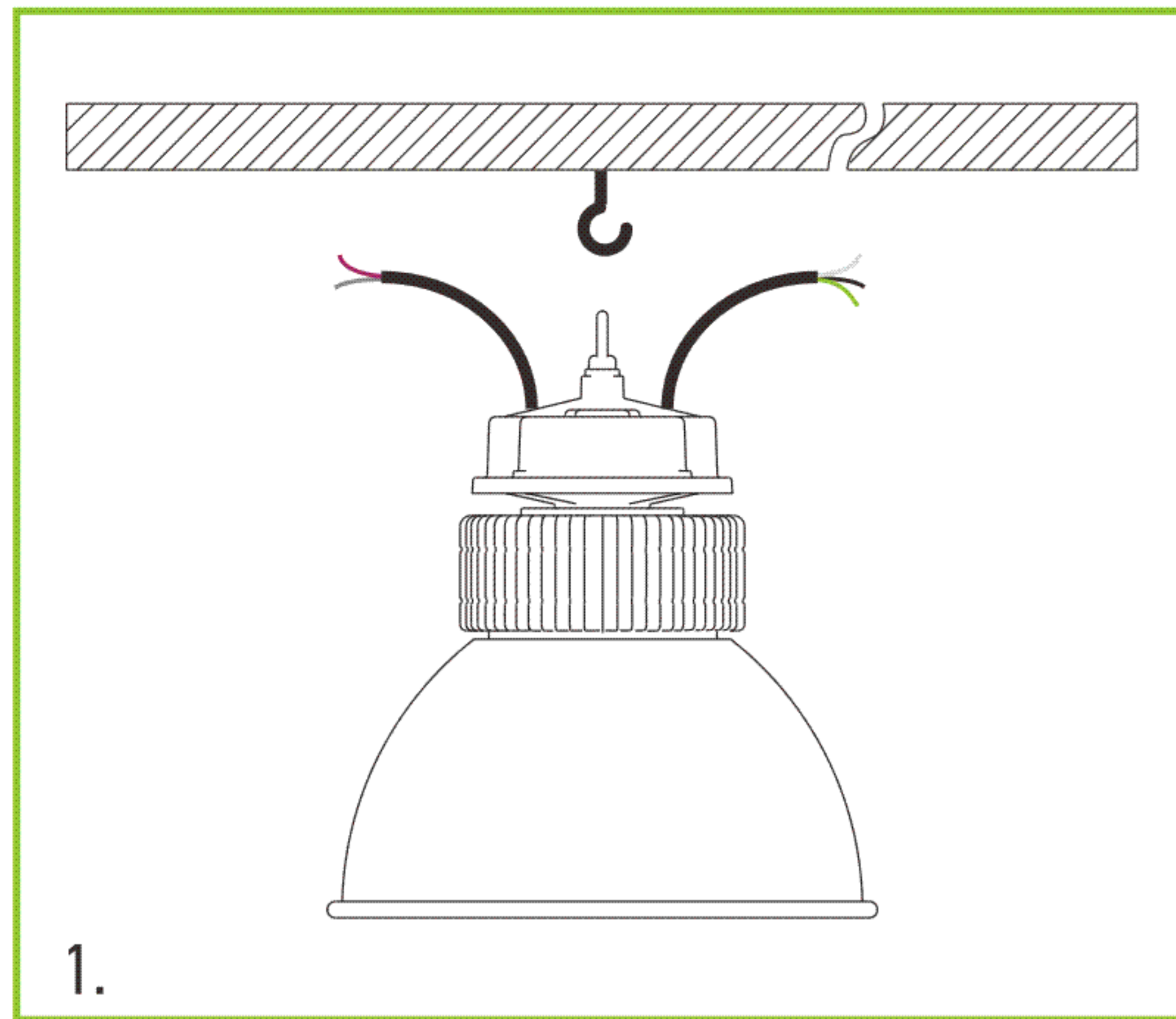
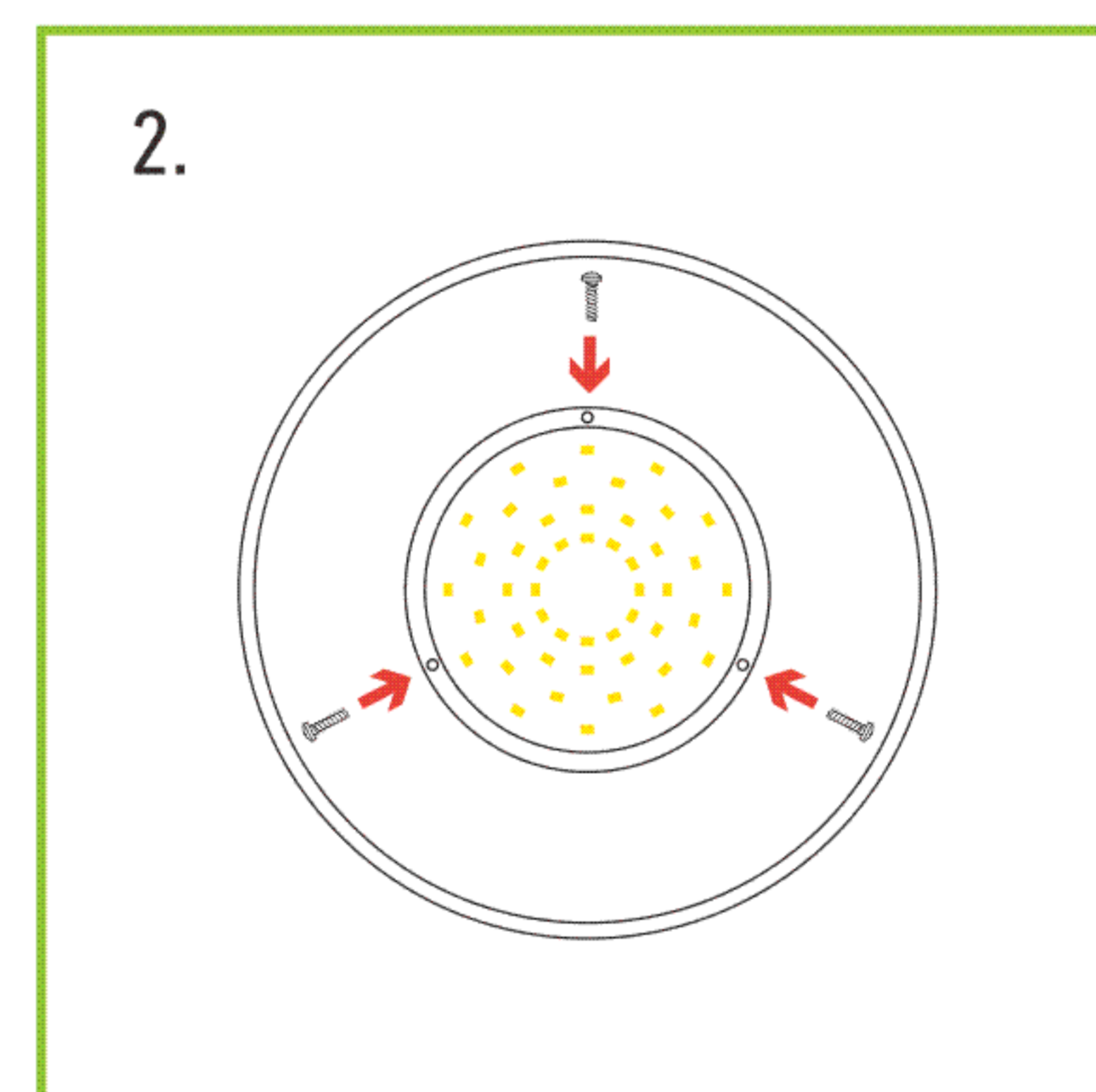
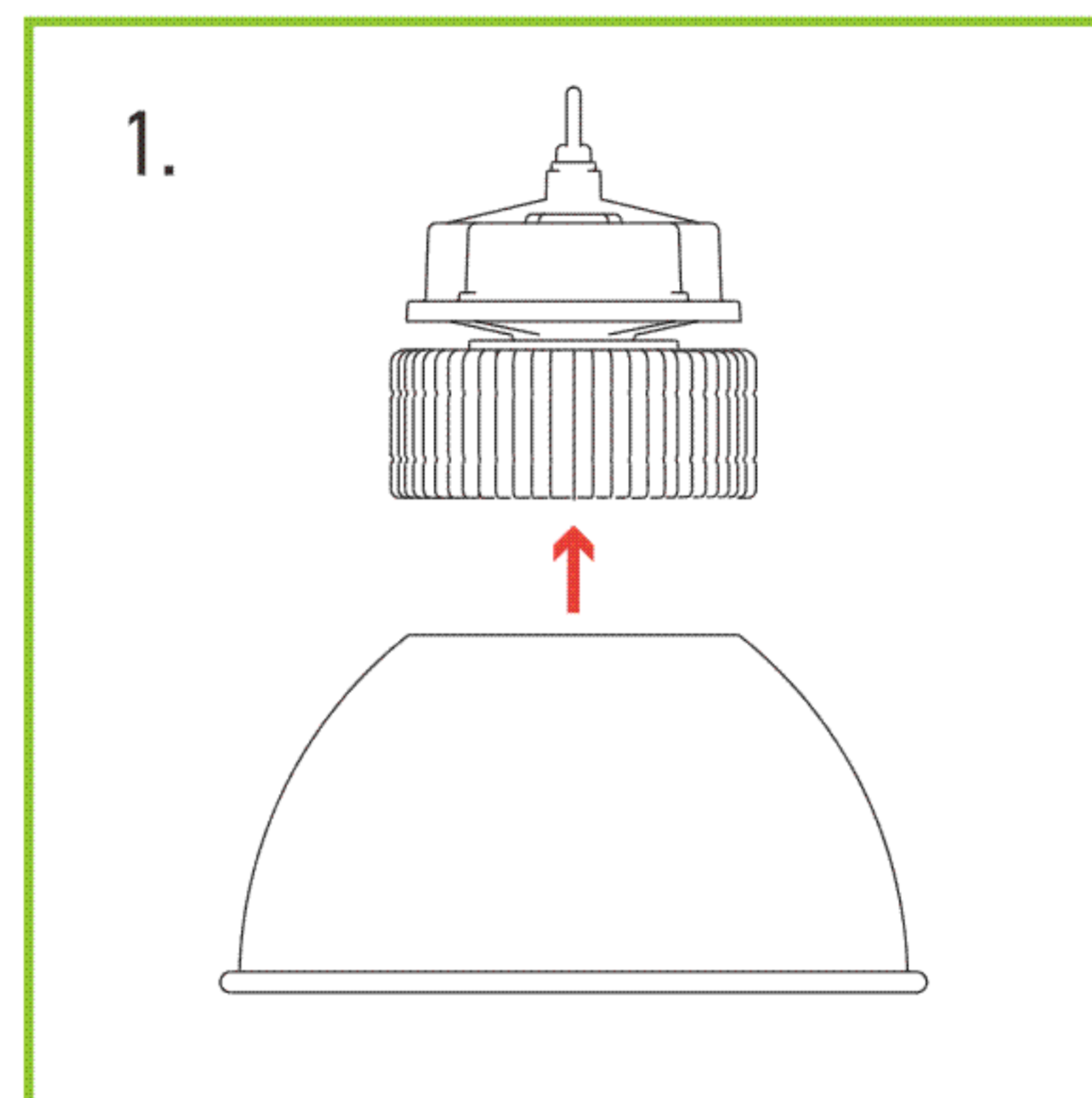


INSTALLATION STEPS



ASSEMBLING FIXTURE WITH DIFFUSER

1. Install the diffuser
2. Tighten the screws



ASSEMBLING FIXTURE WITH DIFFUSER AND LENS

1. Install the conical lens
2. Fix with a special clamp

