

INSTALLATION INSTRUCTION MANUAL

Model number parameter list:

Model	Input Voltage	Power Factor	Frequency	Watt	Input Current max	Weight
CNL1-30	100-277V	0.9	50/60HZ	30W	0.3A	1.7kg
CNL1-50	100-277V	0.9	50/60HZ	50W	0.6A	1.77kg
CNL1-75	100-277V	0.9	50/60HZ	75W	0.8A	3.3kg
CNL1-100	100-277V	0.9	50/60HZ	100W	1.1A	3.47kg

CAUTION: This product use an input 100-277VAC driver of wide range voltage, but the actual working voltage is depend on the input voltage of the photocell that installed on the product. Normally the input voltage of photocell is 120V/208V/240V/277V single range, and also have 120-277VAC wide range. Please pay attention when installation



1. Introduction

- This LED Wall-Packs light uses the latest in solid state lighting technology for long life, low maintenance, and high efficiency.
- The same as traditional HID lighting, it could be mounted a standard photocell on the enclosure, to make it completely suitable for street lighting.
- An internal power-factor-corrected switch-mode supply allows it to be used from any nominal 100V-277V, 50/60Hz AC supply without any variation in light output.
- Suitable for use in the following locations:
 - Ambient Temp: -20~+40°C
 - Damp Locations

Note: Save these instructions for future reference.

2. Installation

Warning:

To avoid the risk of fire, explosion, or electric shock, this product should be installed, inspected, and maintained by a qualified electrician only, in accordance with all applicable electrical codes.

Warning:

To avoid electric shock:

- Be certain electrical power is OFF before and during installation and maintenance.
- Luminaire must be connected to a wiring system with an equipment-grounding conductor.

Warning:

To avoid explosion:

- Make sure the supply voltage is the same as the rated luminaire voltage.
- Do not install where marked operating temperatures exceed the ignition temperature of the hazardous atmosphere.
- Do not operate in ambient temperatures above those indicated on the luminaire nameplate.

For supply connections use wire rated for at least 80°C

Installation:

1. Wall Mount Installation

1. Please check the box to see if there is damage or not before opening the box. Please check the attached technical documents such as brochures, factory certificate and check to see if there is damage of lamps .

2. The lamp will be directly fixed on the ceiling or beam through the box of electrical box by chains during installation. (Adjust the luminaire to provide suitable angle of light)

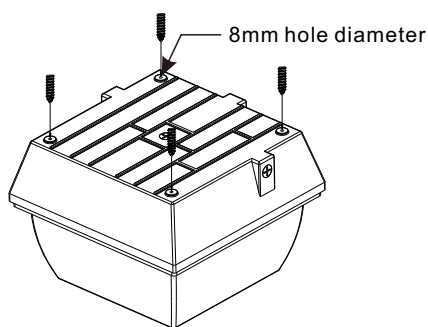


Fig 1

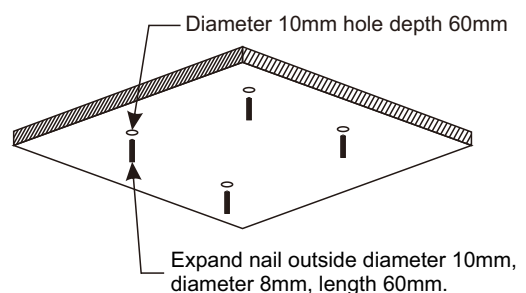


Fig 2

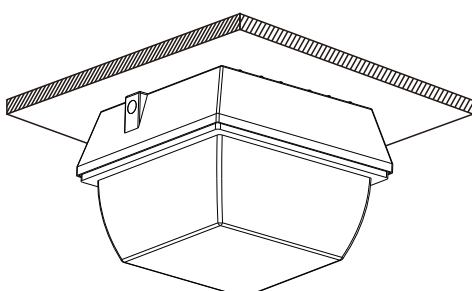


Fig 4

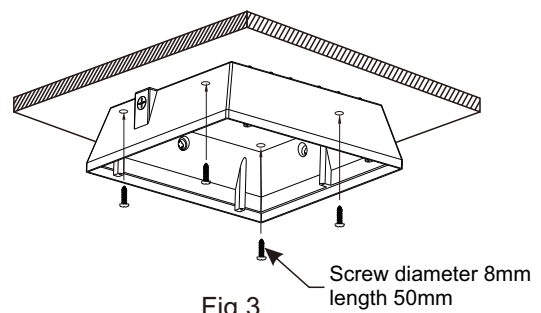


Fig 3

3.Wiring construction.

Wiring method:Wire the black line to the cable L (live wire), and white one to line N (null line), yellowgreen one to G (ground) inside outlet box figure 2 . Secured the canopy to the outlet box by two screws. After fixed, caulk all sides of canopy by silicone gel. After all the installation is finished and fine, power on the lamp and it will works.

The strain relief should be provided at the outlet box and suitable for cord type and size.

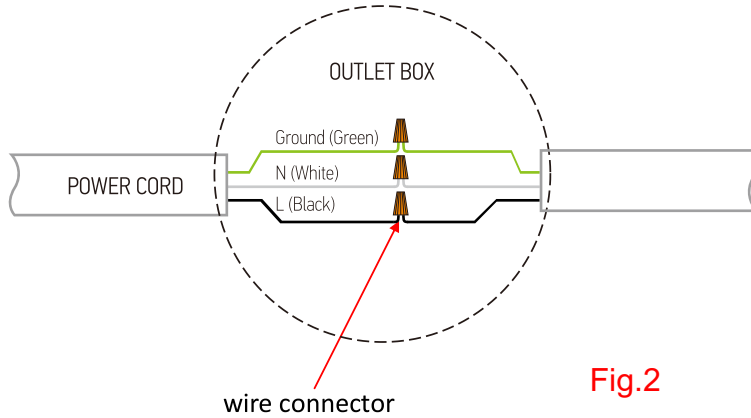


Fig.2

After installation, please

- check whether the lighting fixture is firmly fixed.
- check whether wires are connected correctly.

At last, turn on the power, and check if the lighting fixture works well. If not, please turn off the power and contact with local dealer.

Warning: the luminaire shall be installed by qualified electrician.